

CABLE 030 RF: RF CABLE ASSEMBLY, HIROSE U.FL + FME BULKHEAD PLUG WITH 1.13MM CABLE - 3GHz

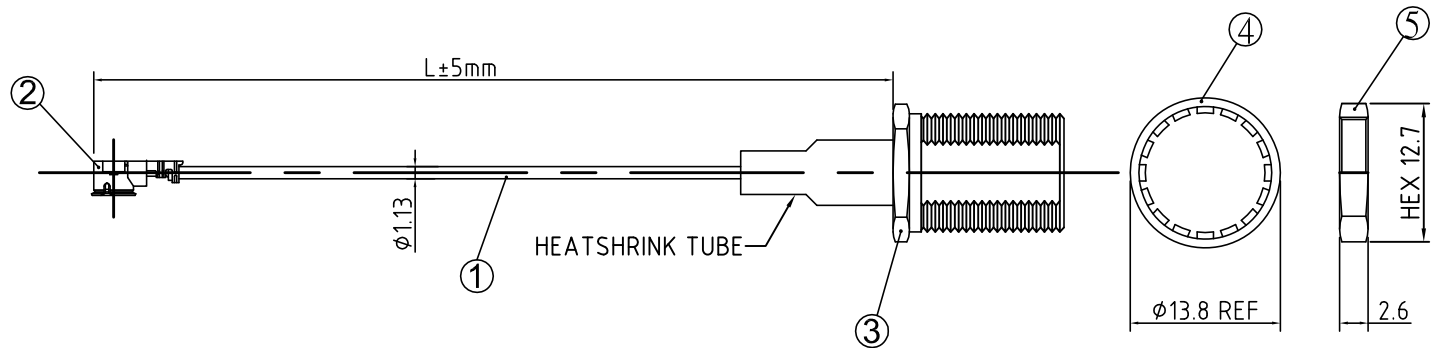
SPECIFICATIONS

1. 1.13MM COAXIAL CABLE, COLOR: GRAY
2. HIROSE U.FL PLUG (U.FL-LP-068)
3. FME PLUG BULKHEAD (C29CBWS178001), NICKEL
4. NUT, BRASS
5. WASHER, BRASS

**USAGE PRECAUTIONS: CABLES USING 'MICRO' COAX ARE DELICATE:**  
 (i) HANDLE WITH CARE.  
 (ii) DO NOT TWIST; APPLY EXCESSIVE FORCES OR SHARP BENDS TO THE CABLE. DO NOT FORCEFULLY DEFORM WIRES.  
 (iii) CONSULT CONNECTOR MANUFACTURER'S DATASHEETS FOR DETAILED NOTES ON HANDLING INSTRUCTIONS.

NOTES:

1. THE ORIENTATION OF CONNECTORS ON DRAWING IS FOR REFERENCE ONLY, FIXED ORIENTATION IS POSSIBLE FOR CABLE SHORTER THAN 100MM. PLEASE CONTACT US IF YOU REQUIRE A SPECIFIC ORIENTATION.
2. ELECTRICAL WORKING FREQUENCY RANGE: DC-3GHz  $\Delta$

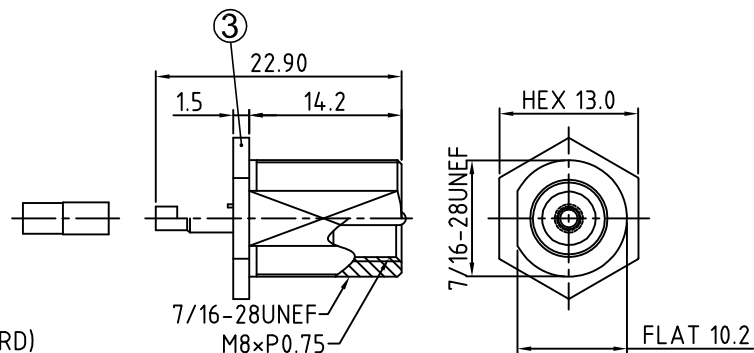


HOW TO ORDER

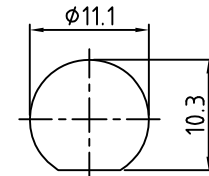
CABLE 030 RF - X X X - X

"L" LENGTH IN MM  
 eg: 100MM = 100  
 (MIN. 50 - MAX. 400,  
 STANDARD : 100, 150, 200)

WASHER AND NUT OPTIONS:  
 BLANK = SEPERATELY PACKED (STANDARD)  
 A = ASSEMBLED WITH CONNECTOR



FME PLUG DETAIL DIMENSION



RECOMMENDED FME MOUNTING HOLE

REV. DATE & DRN  
 10 08/17/06-NYW RELEASE  
 11 10/03/08-NYW  
 ADD CABLE LENGTH OPTION  
 ADD FME DIMENSION.  
 12 05/12/08-NYW  
 ADD WASHER AND NUT  
 OPTIONS.  
 13 10/08/09-PCY  
 ADD WORKING FREQUENCY  
 RANGE.

|                  |                      |   |  |                      |
|------------------|----------------------|---|--|----------------------|
| Scale: NTS       | THIRD ANGLE          | Unstated<br>.X<br>.XX<br>.XXX<br>ANGLES | Tolerances:<br>±0.2<br>±0.1<br>±0.05<br>±5 | Material<br>SEE NOTE |
| Drawn: NYW       |                      |   |  |                      |
| App'd: XXX       | Title CABLE ASSEMBLY | NOT TO SCALE                            |  |                      |
| Date: 18 AUG '09 | Revision: 1.3        | Unit: mm                                |  |                      |

© THIS DRAWING IS CONFIDENTIAL AND MUST NOT BE COPIED OR DISCLOSED WITHOUT WRITTEN CONSENT

|                       |
|-----------------------|
| Type: Cable 030 RF    |
| CABLE 030 RF          |
| Drawing Number:       |
| Sheet 1 of 1          |
| Drawing C 0 E and 0 E |