

CABLE 028 RF: RF CABLE ASSEMBLY, HIROSE U.FL + SMA JACK BULKHEAD MOUNT W/1.13MM CABLE (STANDARD TYPE) - 3GHz

SPECIFICATIONS

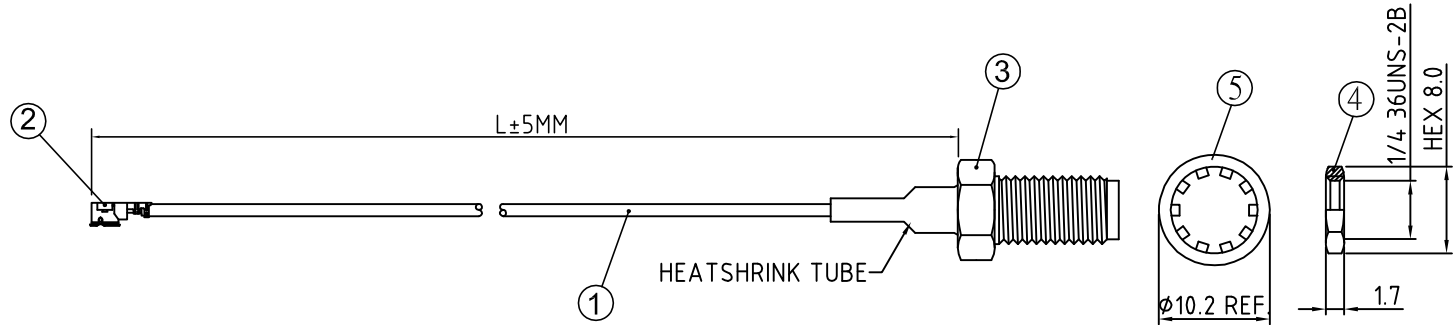
1. 1.13MM COAXIAL CABLE, COLOR: GRAY
2. HIROSE (U.FL-LP-068 )
3. SMA ST BULKHEAD (C02ABWS178003B), GOLD
4. NUT, BRASS
5. WASHER, BRASS

USAGE PRECAUTIONS: CABLES USING 'MICRO' COAX ARE DELICATE:

- (i) HANDLE WITH CARE.
- (ii) DO NOT TWIST; APPLY EXCESSIVE FORCES OR SHARP BENDS TO THE CABLE. DO NOT FORCEFULLY DEFORM WIRES.
- (iii) CONSULT CONNECTOR MANUFACTURER'S DATASHEETS FOR DETAILED NOTES ON HANDLING INSTRUCTIONS.

NOTES:

1. THE ORIENTATION OF CONNECTORS ON DRAWING IS FOR REFERENCE ONLY, PLEASE CONTACT US IF YOU REQUIRE A SPECIFIC ORIENTATION.
2. ELECTRICAL WORKING FREQUENCY RANGE: DC-3GHz  $\Delta$

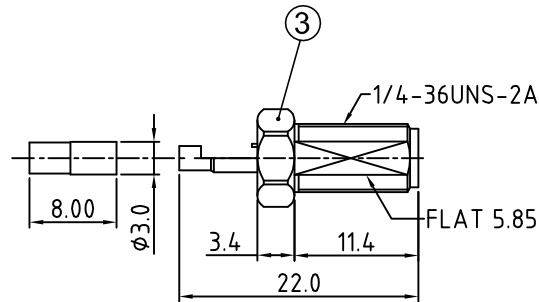


HOW TO ORDER

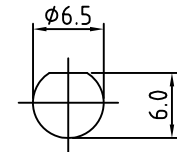
CABLE 028 RF - XXX - X

"L" LENGTH IN MM  
 eg: 100MM = 100  
 (MIN. 50 - MAX. 400,  
 STANDARD : 100, 150, 200)

WASHER AND NUT OPTIONS:  
 BLANK = SEPERATELY PACKED (STANDARD)  
 A = ASSEMBLED WITH CONNECTOR



SMA JACK DETAIL DIMENSION



RECOMMENDED SMA MOUNTING HOLE

REV. DATE & DRN  
 10 02/10/06-NYW RELEASE  
 11 31/03/08-NYW  
 ADD SMA DIMENSION.  
 ADD VARIABLE CABLE LENGTH  
 12 28/11/08-NYW  
 ADD WASHER AND NUT  
 OPTIONS.  
 13 26/08/09-PCY  
 ADD WORKING FREQUENCY  
 RANGE.

Scale: 2 : 1	THIRD ANGLE	Unstated .X .XX .XXX ANGLES	Tolerances: ±0.2 ±0.1 ±0.05 ±5	Material SEE NOTE
Drawn: NYW		Title CABLE ASSEMBLY		NOT TO SCALE
App'd: XXX	Revision: 1.3	Unit: mm		

**GRADCONN**  
www.gradconn.com

THIS DRAWING IS CONFIDENTIAL AND MUST NOT BE COPIED OR DISCLOSED WITHOUT WRITTEN CONSENT

Type: Cable 028 RF
CABLE 028 RF
Drawing Number:
Sheet 1 of 1
Drawing C  E and O E