

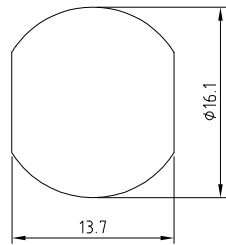
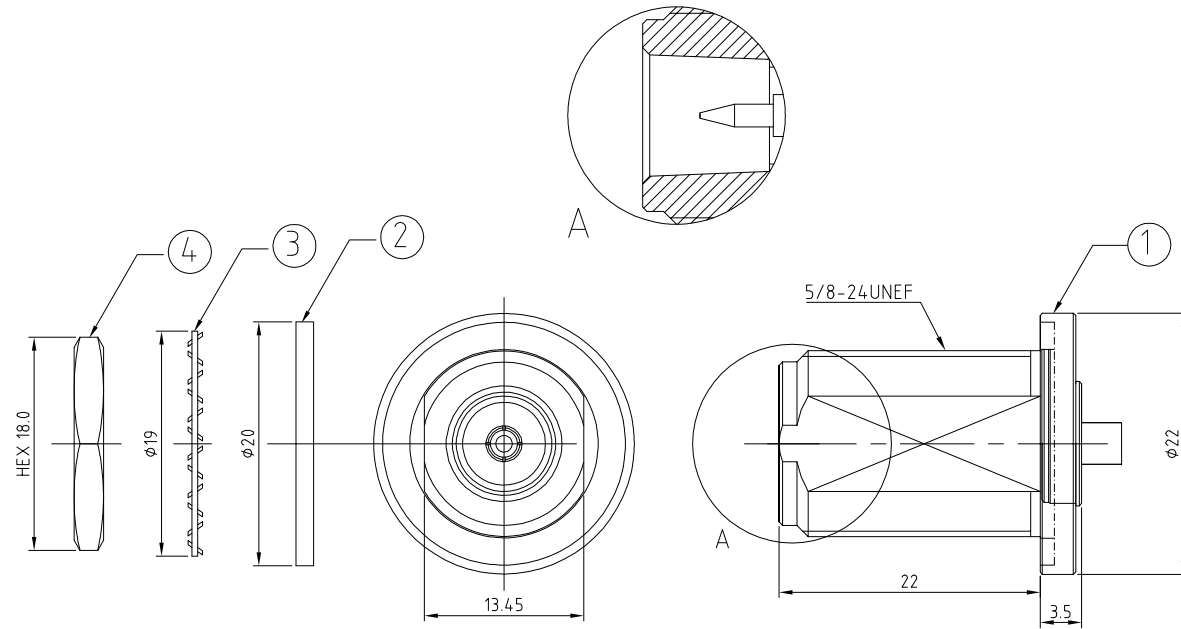
RFCT-N008-F78: RP N STRAIGHT BULKHEAD JACK WITH O-RING RATED TO IP67/68, FOR RG178 CABLE, 6GHZ

Material and Plating:

- 1. Barrel: Brass, Nickel Plated.
- Gasket A: Silicon, Color: Red.
- Gasket B: Silicon, Color: Red.
- Pin: Brass, Gold Plated.
- Insulator: Teflon.
- Body: Brass, Nickel Plated.
- Contact: Brass, Gold Plated.
- Insulator B: Teflon.
- Ferrule: Brass, Gold Plated.
- 2. O-ring: Silicon, Color: Red.
- 3. Washer: Stainless Steel, Nickel Plated.
- 4. Nut: Brass, Nickel Plated.

Environmental:

- A. Rated to:
  - i. IP6x - Dust tight - no particle ingress.
  - ii. IPx7 Waterproof for 30 minutes up to 1 meter underwater.
  - iii. IPx8 Waterproof for 48 hours at 1 meter underwater.



RECOMMENDED MOUNTING HOLE  
MAX. PANEL THICKNESS: 9MM  
TOLERANCE:  $\pm 0.07$

Scale: NTS	THIRD ANGLE	Unstated .X .XX .XXX ANGLES	Tolerances: N/A N/A N/A N/A
Drawn: NYW			
App'd: XXX	Title CABLE ASSEMBLY		
Date: 26 FEB. '20	Revision: 1.0	Unit: mm	

IP67/68 Rated Cables

www.gradconn.com

Type: RFCT-N008-F78
RFCT-N008-F78
Drawing Number:
Sheet 1 of 1
Drawing © E and O E