

BB02-GK

CUSTOMER PRODUCT SPECIFICATION SHEET

RoHS  
Compliant

BB02-GK :- 2.00mm x 2.00mm (0.079" x 0.079" ) SIDE ENTRY FEMALE HEADER, DUAL ROW, BOARD TO BOARD - 04 TO 50 CONTACTS

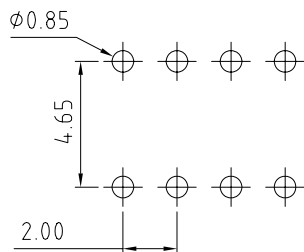
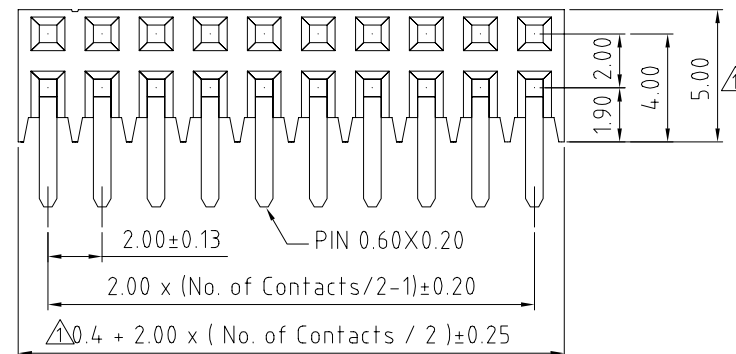
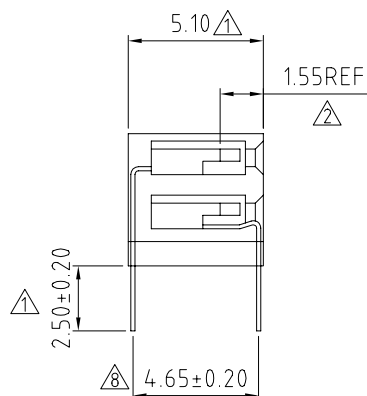
SPECIFICATIONS

CURRENT RATING 2 AMP  
 INSULATOR RESISTANCE 1000 MEGOHMS MIN.  
 DIELECTRIC WITHSTANDING AC 500 V  
 OPERATING TEMPERATURE -40°C TO +105°C  
 CONTACT MATERIAL PHOSPHOR BRONZE  
 INSULATOR MATERIAL THERMOPLASTIC, UL 94V-0  
 STANDARD: NYLON 6T  
 PLATING GOLD OR TIN OVER 30~50U" NICKEL  
 SOLDERABILITY IR REFLOW: 260°C FOR 10 SEC  
 WAVE: 230°C FOR 5-10 SEC  
 MANUAL SOLDER: 350°C FOR 3-5 SEC

NOTES:

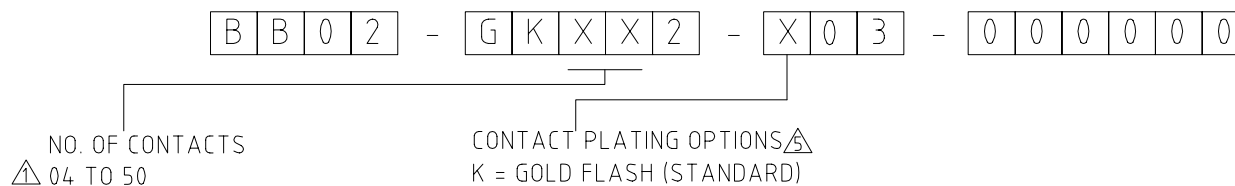
1. PACKED IN TUBE.
2. RECOMMENDED MATING PIN LENGTH: 4.0MM.  $\Delta$

MATES WITH :- BB02-FA BB02-FT  
 BB02-FD BB02-FU  
 BB02-FE BB02-FZ  
 BB02-FG BB02-RH  
 BB02-FR BB02-RN



RECOMMENDED PC BOARD HOLE LAYOUT  
(TOLERANCE: ±0.05)

HOW TO ORDER



CONTACT PLATING OPTIONS  $\Delta$   
 K = GOLD FLASH (STANDARD)  
 A = 10U" GOLD ON CONTACT/GOLD FLASH ON TAIL  
 B = 15U" GOLD ON CONTACT/GOLD FLASH ON TAIL  
 C = 30U" GOLD ON CONTACT/GOLD FLASH ON TAIL  
 T = BRIGHT TIN  
 M = MATT TIN

REV.	DATE & DRN
10	05/06/02 - S1T RELEASE
11	08/09/03 - NYW
12	07/07/06 - CHC
13	09/08/06 - NYW
14	30/05/07 - NYW
15	15/07/07 - CHC
16	03/06/08 - CHC
17	21/07/09 - CHC
18	18/02/11 - NYW

10	05/06/02 - S1T RELEASE
11	08/09/03 - NYW
12	07/07/06 - CHC
13	09/08/06 - NYW
14	30/05/07 - NYW
15	15/07/07 - CHC
16	03/06/08 - CHC
17	21/07/09 - CHC
18	18/02/11 - NYW

Scale:	5:1
Drawn:	CHC
App'd:	XXXX
Date:	18 FEB '11

THIRD ANGLE	
Title	SOCKET
Revision:	18

Unstated Tolerances:	X ± 0.30
	.X ± 0.25
	.XX ± 0.15
	.XXX ± 0.10

Material	SEE NOTE
	NOT TO SCALE
Unit:	mm

www.gradconn.com

THIS DRAWING IS CONFIDENTIAL AND MUST NOT BE COPIED OR DISCLOSED WITHOUT WRITTEN CONSENT

Type:	BB02-GK
	BB02-GK
Drawing Number:	Sheet 1 of 1
Drawing	E and OE