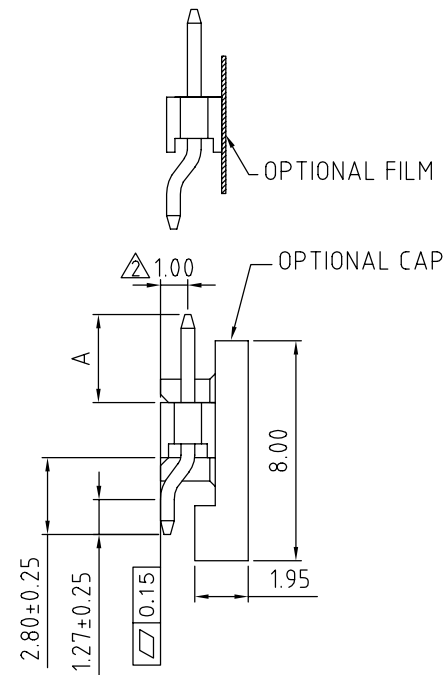
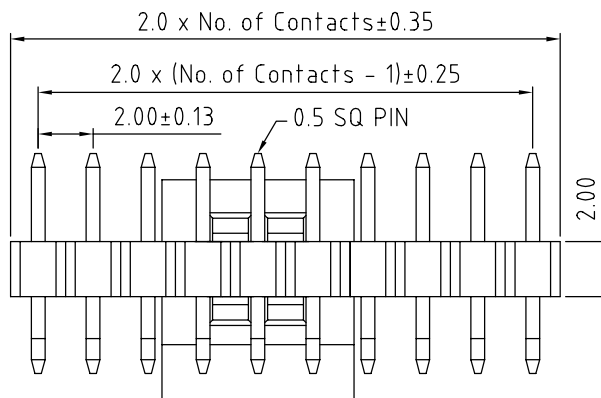
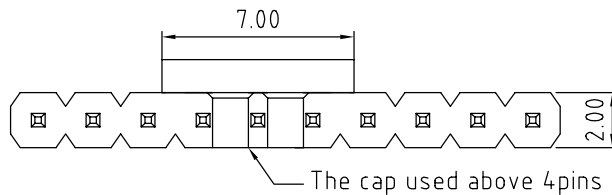


BB02-FK :- 2.00mm ( 0.079" ) SMD PIN HEADER, SINGLE ROW, 2 to 40 CONTACTS, 2.00MM INSULATOR HEIGHT

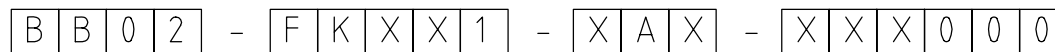
SPECIFICATIONS

CURRENT RATING 2 AMP  
 INSULATOR RESISTANCE 1000 MEGOHMS MIN.  
 DIELECTRIC WITHSTANDING AC 500 V  
 OPERATING TEMPERATURE -40°C TO +105°C  
 CONTACT MATERIAL BRASS  
 INSULATOR MATERIAL THERMOPLASTIC, UL 94V-0  
 STANDARD: NYLON 6T  
 PLATING GOLD, TIN OR SELECTIVE OVER 30-50U" NICKEL  
 SOLDERABILITY IR REFLOW: 260°C FOR 10 SEC  
 MANUAL SOLDER: 350°C FOR 3-5 SEC

MATES WITH: - BB02-GD BB02-RW  
 BB02-GS  
 BB02-RK  
 BB02-RS



HOW TO ORDER



NO. OF CONTACTS  
02 TO 40

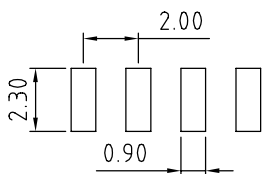
CONTACT PLATING OPTIONS

- K = GOLD FLASH (STANDARD)
- A = 10U" GOLD ON CONTACT/GOLD FLASH ON TAIL
- B = 15U" GOLD ON CONTACT/GOLD FLASH ON TAIL
- C = 30U" GOLD ON CONTACT/GOLD FLASH ON TAIL
- T = BRIGHT TIN
- M = MATT TIN
- D = GOLD FLASH ON CONTACT/BRIGHT TIN ON TAIL
- E = 10U" GOLD ON CONTACT/BRIGHT TIN ON TAIL
- F = 15U" GOLD ON CONTACT/BRIGHT TIN ON TAIL
- G = 30U" GOLD ON CONTACT/BRIGHT TIN ON TAIL

PACKAGING OPTIONS

- 2 - LOOSE IN BOX (STANDARD)
- 3 - TUBE
- 4 - TUBE & FILM
- 5 - TUBE & CAP
- 6 - T & R
- 7 - T & R & FILM
- 8 - T & R & CAP

PIN LENGTH 'A' (1/10mm)  
 PLEASE SPECIFY PIN LENGTH REQUIRED IN mm  
 I.E. 2.5mm = 025  
 STANDARD = 032  
 Tol. ±0.25



(TOLERANCE: ±0.05)  
RECOMMENDED PC BOARD LAYOUT

REV.	DATE & DRN
1.0	15/05/08 - NYW RELEASE
1.1	17/01/09 - CHC DRAWING MODIFICATION.
1.2	27/07/11 - NYW ADD PLANAR HEIGHT.
1.3	19/07/11 - NYW CHANGE INSULATOR MATERIAL TO NYLON 6T.

Scale: 5:1	THIRD ANGLE	Unstated Tolerances: X ± 0.30 .X ± 0.25 .XX ± 0.15 .XXX ± 0.10	Material SEE NOTE
Drawn: CHC		Title PIN HEADER	NOT TO SCALE
App'd: XXXX	Date: 19 JUL '11	Revision: 1.3	Unit: mm



THIS DRAWING IS CONFIDENTIAL AND MUST NOT BE COPIED OR DISCLOSED WITHOUT WRITTEN CONSENT

Type: BB02-FK
BB02-FK-A
Drawing Number:
Sheet 1 of 1
Drawing ©