

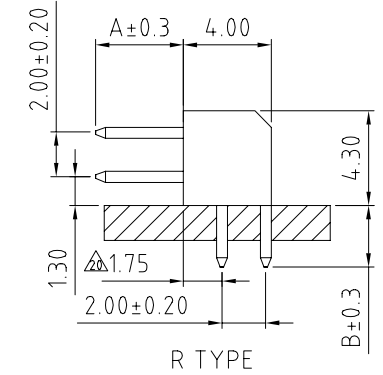
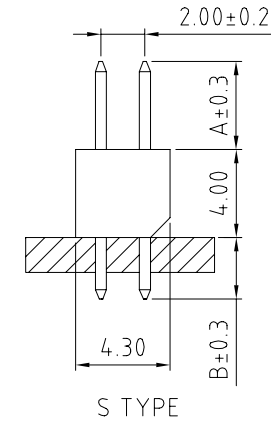
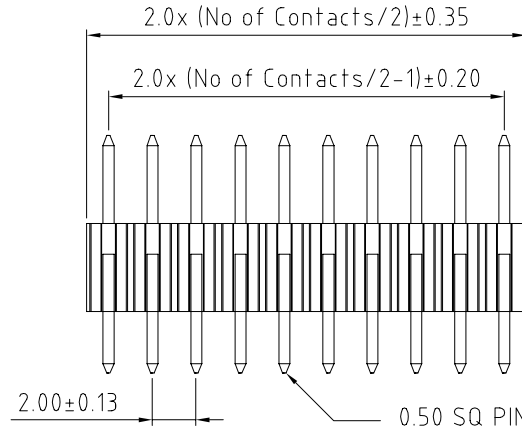
BB02-FG :- 2.00mm x 2.0mm (0.079" x 0.079") PIN HEADER, DUAL ROW, STRAIGHT OR RIGHT ANGLE - 04 to 80 CONTACTS

SPECIFICATIONS

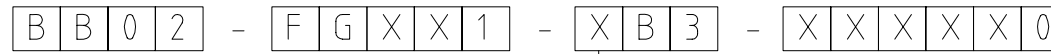
CURRENT RATING 2 AMP Δ
 INSULATOR RESISTANCE 1000 MEGOHMS MIN.
 DIELECTRIC WITHSTANDING AC 500 V
 CONTACT RESISTANCE 20 MEGOHMS MAX.
 OPERATING TEMPERATURE -40°C TO +105°C
 CONTACT MATERIAL BRASS
 INSULATOR MATERIAL THERMOPLASTIC, UL 94V-0
 STANDARD = NYLON 6T Δ
 PLATING GOLD, TIN, OR SELECTIVE OVER 30-50U" NICKEL
 SOLDERABILITY: IR REFLOW: 260°C FOR 10 SEC
 WAVE: 230°C FOR 5-10 SEC
 MANNUAL SOLDER: 350°C FOR 3-5

PACKED IN TUBE OR TRAY Δ

MATES WITH :- BB02-GH BB02-GT
 BB02-GK BB02-GY
 BB02-GL BB02-GZ
 BB02-GM BB02-RG
 BB02-GP BB02-RJ
 BB02-GQ BB02-RX



HOW TO ORDER



NO. OF CONTACTS
04 TO 80 Δ

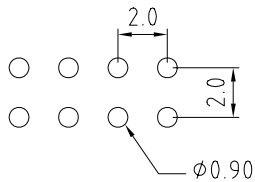
CONTACT PLATING OPTIONS Δ Δ

- K = GOLD FLASH (STANDARD)
- A = 10U" GOLD ON CONTACT/GOLD FLASH ON TAIL
- B = 15U" GOLD ON CONTACT/GOLD FLASH ON TAIL
- C = 30U" GOLD ON CONTACT/GOLD FLASH ON TAIL
- T = BRIGHT TIN
- M = MATT TIN
- D = GOLD FLASH ON CONTACT/TIN ON TAIL
- E = 10U" GOLD ON CONTACT/TIN ON TAIL
- F = 15U" GOLD ON CONTACT/TIN ON TAIL
- G = 30U" GOLD ON CONTACT/TIN ON TAIL

PIN LENGTH A (1/10mm)
PLEASE SPECIFY PIN LENGTH REQUIRED
I.E. 2.5mm = 25
STANDARD = 40

PIN LENGTH B (1/10mm)
PLEASE SPECIFY PIN LENGTH REQUIRED
I.E. 2.5mm = 25
STANDARD = 28
(MIN. 1.65MM)

CONNECTOR TYPE
S = STRAIGHT
R = RIGHT ANGLE



(TOLERANCE: ±0.05)

RECOMMENDED PC BOARD HOLE LAYOUT

REV.	DATE & DRN
1.0	27/05/03 - N/R RELEASE
1.1	03/03/04 - N/R
1.2	03/03/04 - N/R
1.3	29/07/04 - NYW
1.4	28/04/05 - CHC
1.5	AMEND SPECIFICATIONS
1.6	05/09/05 - NYW
1.7	REMOVE PIN OPTION C.
1.8	AMEND PLATING
1.9	09/08/06 - NYW
2.0	ADD PLASTIC OPTION.
2.1	DRAWING MODIFICATION.
2.2	24/11/06 - NYW
2.3	AMEND MIN PINH D6 -> D4.
2.4	25/07/07 - CHC
2.5	REMOVE MATERIAL PBT
2.6	16/01/08 - NYW
2.7	PLATING MODIFICATION.
2.8	31/02/08 - CHC
2.9	DRAWING MODIFICATION.
2.10	23/02/11 - NYW
2.11	ADD DIMENSION.

Scale:	4:1
Drawn:	CHC
App'd:	XXXX
Date:	23 FEB '11

THIRD ANGLE	
Title	PIN HEADER
Revision:	2.0

Unstated Tolerances:	X ± 0.30 X ± 0.25 XX ± 0.15 XXX ± 0.10
Material	SEE NOTE
	NOT TO SCALE
Unit:	mm

www.gradconn.com

THIS DRAWING IS CONFIDENTIAL AND MUST NOT BE COPIED OR DISCLOSED WITHOUT WRITTEN CONSENT

Type:	BB02-FG
Drawing Number:	BB02-FG
Sheet	1 of 1
Drawing	© E and O E