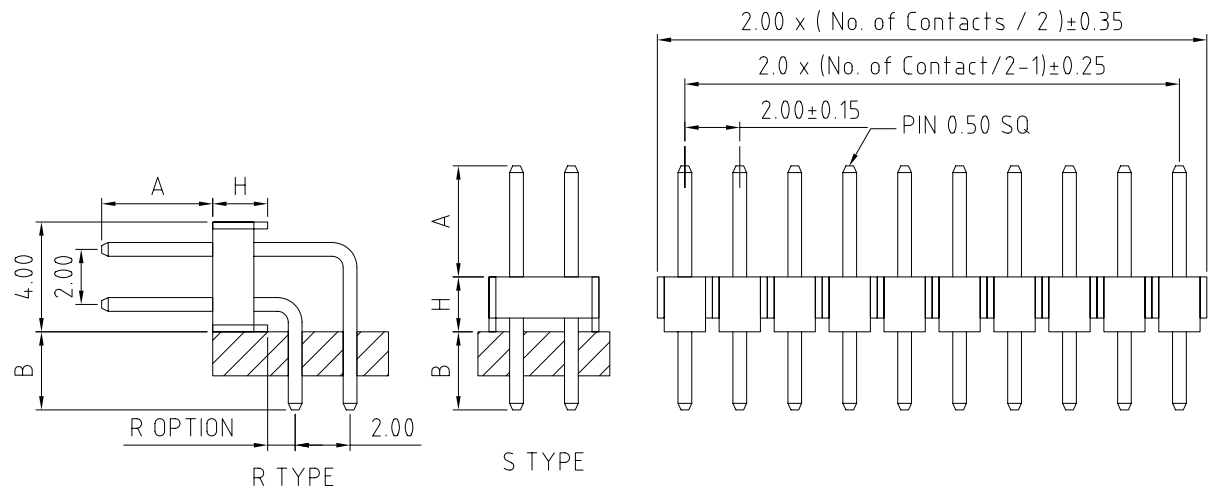


BB02-FD :- 2.00mm x 2.00mm (0.079" x 0.079") PIN HEADER, DUAL ROW, THROUGH HOLE, 4 to 80 CONTACTS, STRAIGHT & RIGHT ANGLE

SPECIFICATIONS

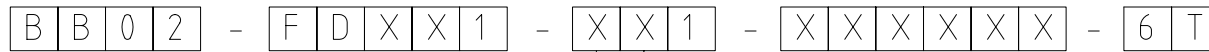
CURRENT RATING 2 AMP
 INSULATOR RESISTANCE 1000 MEGOHMS MIN.
 DIELECTRIC WITHSTANDING AC 500 V
 OPERATING TEMPERATURE -40°C TO +105°C
 CONTACT MATERIAL BRASS
 INSULATOR MATERIAL POLYESTER,UL 94V-0
 NYLON 6T : STANDARD
 PBT : SPECIAL OPTION
 PLATING GOLD, TIN OR SELECTIVE OVER 30-50U" NICKEL
 SOLDERABILITY: NYLON 6T - IR REFLOW: 260°C FOR 10 SEC
 WAVE: 230°C FOR 5-10 SEC
 MANNUAL SOLDER: 350°C FOR 3-5 SEC
 PBT - MANNUAL SOLDER: 330°C FOR 3-5 SEC
 (NOT SUITABLE FOR HI-TEMP PROCESS)



PACKED LOOSE IN BAG

MATES WITH :- BB02-GH BB02-GT
 BB02-GK BB02-GY
 BB02-GL BB02-GZ
 BB02-GM BB02-RG
 BB02-GP BB02-RJ
 BB02-GQ BB02-RX

HOW TO ORDER



NO. OF CONTACTS
04 TO 80

CONTACT PLATING OPTIONS
 K = GOLD FLASH (STANDARD)
 A = 10U" GOLD ON CONTACT/GOLD FLASH ON TAIL
 B = 15U" GOLD ON CONTACT/GOLD FLASH ON TAIL
 C = 30U" GOLD ON CONTACT/GOLD FLASH ON TAIL
 T = BRIGHT TIN
 M = MATT TIN
 D = GOLD FLASH ON CONTACT/BRIGHT TIN ON TAIL
 E = 10U" GOLD ON CONTACT/BRIGHT TIN ON TAIL
 F = 15U" GOLD ON CONTACT/BRIGHT TIN ON TAIL
 G = 30U" GOLD ON CONTACT/BRIGHT TIN ON TAIL

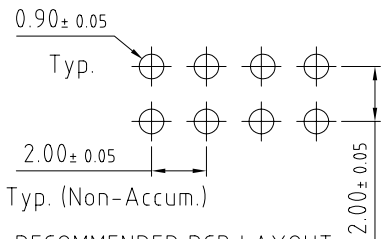
H DIMENSION
 A = 1.5mm
 B = 2.0mm
 STANDARD = B

PIN LENGTH A (1/10mm)
 PLEASE SPECIFY PIN LENGTH REQUIRED
 I.E. 4.0mm = 40
 STANDARD = 40
 TOL. ±0.2mm

PIN LENGTH B (1/10mm)
 PLEASE SPECIFY PIN LENGTH REQUIRED
 I.E. 2.8mm = 28
 STANDARD = 28
 TOL. ±0.2mm

INSULATOR MATERIAL
 6T = NYLON 6T (STANDARD)
 BLANK = PBT (Not suitable for new designs.)

CONNECTOR TYPE
 S0 = STRAIGHT
 R0 = RIGHT ANGLE 1.0mm
 R1 = RIGHT ANGLE 1.27mm



RECOMMENDED PCB LAYOUT (TOLERANCE: ±0.05)

REV. DATE & DRN
11 09/06/07 - S11 RELEASE
12 08/08/06 - NYW
13 07/02/07 - CHC
14 02/06/08 - CHC
15 30/12/08 - CHC

Scale: 5:1	THIRD ANGLE	Unstated Tolerances: X ± 0.30 XX ± 0.25 XXX ± 0.15	Material SEE NOTE
Drawn: CHC	Title PIN HEADER		NOT TO SCALE
App'd: XXXX	Revision: 1.5		UNIT: mm

THIS DRAWING IS CONFIDENTIAL AND MUST NOT BE COPIED OR DISCLOSED WITHOUT WRITTEN CONSENT

Type: BB02-FD
BB02-FD
Drawing Number:
Sheet 1 of 1
Drawing © E and O E