

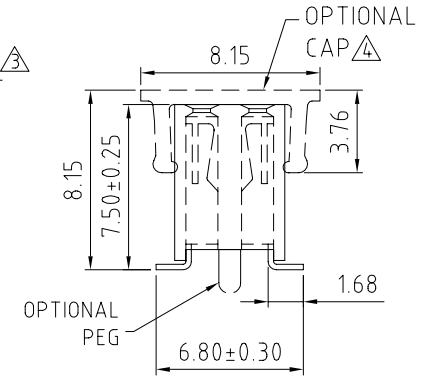
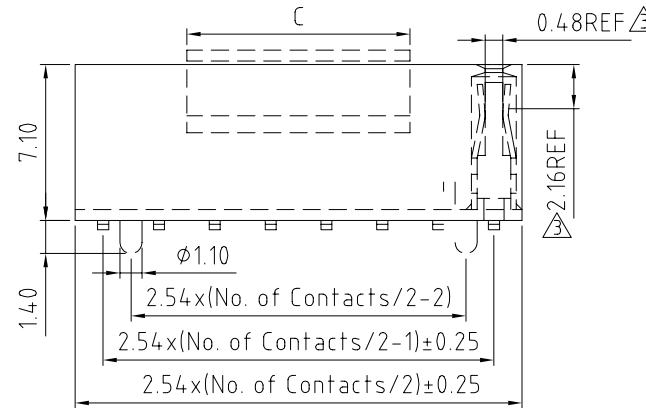
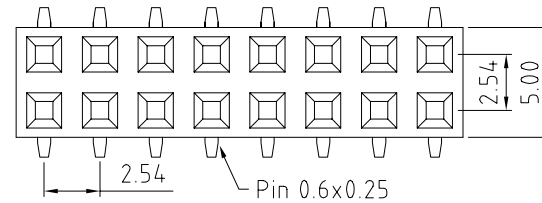
BB02-KU :- 2.54mm X 2.54mm (0.1" X 0.1") SMD FEMALE HEADER, DUAL ROW - 06 TO 80 CONTACTS, DUAL ENTRY

SPECIFICATIONS

CURRENT RATING 3 AMPS
 INSULATOR RESISTANCE 1000 MEGOHMS MIN.
 CONTACT RESISTANCE 20m OHMS MAX
 DIELECTRIC WITHSTANDING AC 600 V
 OPERATING TEMPERATURE -40°C TO +105°C
 CONTACT MATERIAL PHOSPHOR BRONZE
 INSULATOR MATERIAL THERMOPLASTIC, UL 94V-0
 STANDARD NYLON-6T
 PLATING GOLD, TIN OR SELECTIVE OVER 30~50U" NICKEL
 SOLDERABILITY IR REFLOW: 260°C FOR 10 SEC
 MANNUAL SOLDER: 350°C FOR 3-5 SEC

C	PIN #
4mm	06 pins
10.15mm	08~80 pins

MATES WITH: BB02-HE BB02-HQ BB02-TF
 BB02-HF BB02-HR BB02-TG
 BB02-HJ BB02-HU BB02-TH
 BB02-HP BB02-TD



NOTES:

1. RECOMMENDED MATING PIN LENGTH FOR TOP ENTRY: 4.5MM. Δ

HOW TO ORDER

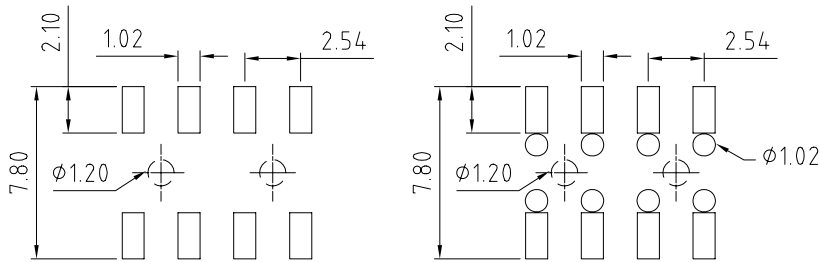


NO. OF CONTACTS
06 TO 80

CONTACT PLATING OPTIONS
 K = GOLD FLASH (STANDARD)
 A = 10U" GOLD ON CONTACT/GOLD FLASH ON TAIL
 B = 15U" GOLD ON CONTACT/GOLD FLASH ON TAIL
 C = 30U" GOLD ON CONTACT/GOLD FLASH ON TAIL
 T = BRIGHT TIN
 M = MATT TIN
 D = GOLD FLASH ON CONTACT/BRIGHT TIN ON TAIL
 E = 10U" GOLD ON CONTACT/BRIGHT TIN ON TAIL
 F = 15U" GOLD ON CONTACT/BRIGHT TIN ON TAIL
 G = 30U" GOLD ON CONTACT/BRIGHT TIN ON TAIL

PACKAGING OPTIONS
 3 - TUBE
 4 - TUBE & FILM
 5 - TUBE & CAP
 6 - T & R
 7 - T & R & FILM
 8 - T & R & CAP

LOCATING PEG OPTION
 A = WITH PEG
 B = WITHOUT PEG



FOR TOP ENTRY
RECOMMENDED PCB LAYOUT
(TOLEARENCE: ±0.05)

FOR BOTTOM ENTRY Δ
RECOMMENDED PCB LAYOUT
(TOLEARENCE: ±0.05)

REV. DATE & DRN
10. 06/05/05 - NYW RELEASE
11. 05/11/05 - NYW
12. 09/08/06 - CHC ADD BOTTOM ENTRY LAYOUT DRAWING MODIFICATION
13. 09/05/07 - NYW ADD CONTACT GAP DIM. ADD NOTES 1.
14. 17/09/07 - NYW ADD CAP DRAWING.
15. 28/05/08 - PN ADD MATT TIN PLATING DRAWING MODIFICATION.
16. 04/02/09 - CHC

Scale: 4:1	THIRD ANGLE	Unstated Tolerances: X ± 0.30 X ± 0.25 XX ± 0.15 XXX ± 0.10	Material SEE NOTE
Drawn: CHC			
App'd: XXXX	Title SOCKET		NOT TO SCALE
Date: 04 FEB '09	Revision: 1.6		Unit: mm

www.gradconn.com

THIS DRAWING IS CONFIDENTIAL AND MUST NOT BE COPIED OR DISCLOSED WITHOUT WRITTEN CONSENT

Type: BB02-KU
BB02-KU
Drawing Number:
Sheet 1 of 1
Drawing © E and O E