

BB02-HH

CUSTOMER PRODUCT SPECIFICATION SHEET



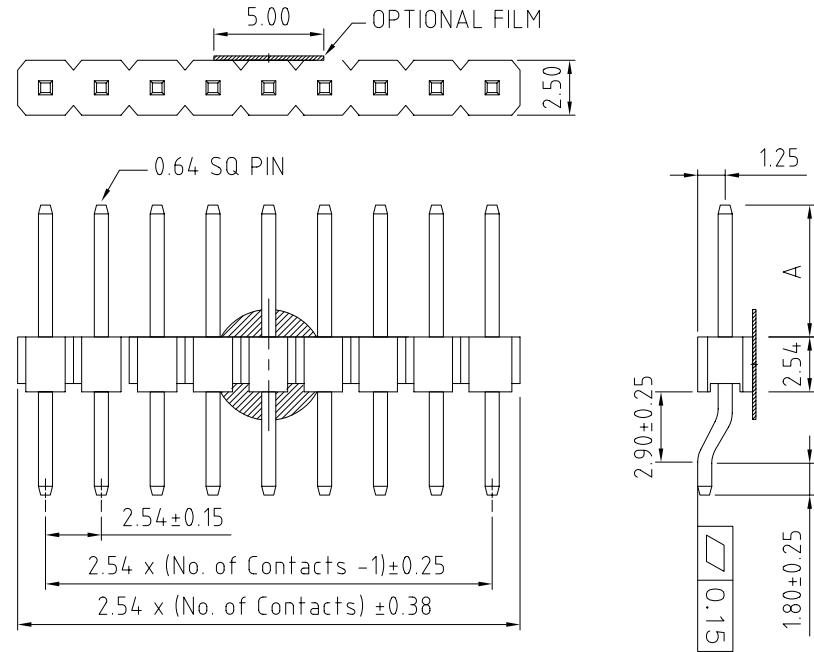
BB02-HH :- 2.54mm (0.1") PIN HEADER SMD TYPE ,SINGLE ROW, RIGHT ANGLE - 02 to 40 CONTACTS

SPECIFICATIONS

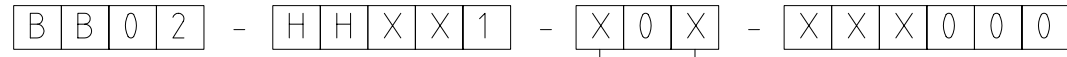
CURRENT RATING	3 AMP
INSULATOR RESISTANCE	1000 MEGOHMS MIN.
DIELECTRIC WITHSTANDING	AC 600 V
CONTACT RESISTANCE	20 m OHMS MAX.
OPERATING TEMPERATURE	-40°C TO +105°C
CONTACT MATERIAL	BRASS
INSULATOR MATERIAL	POLYESTER UL 94V-0 STANDARD NYLON 6T
PLATING	GOLD, TIN OR SELECTIVE OVER 30-50U" NICKEL
SOLDERABILITY	IR REFLOW: 260°C FOR 10 SEC WAVE: 230°C FOR 5-10 SEC MANUAL SOLDER: 350°C FOR 3-5 SEC

MATES WITH :-

BB02-JB	BB02-JJ	BB02-KR
BB02-JC	BB02-JL	
BB02-JE	BB02-JR	
BB02-JF	BB02-JS	
BB02-JG	BB02-JT	



HOW TO ORDER

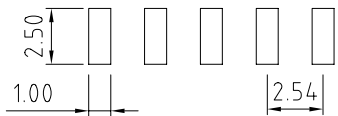


NO. OF CONTACTS
02 TO 40

CONTACT PLATING OPTIONS
 K = GOLD FLASH (STANDARD)
 A = 10U" GOLD ON CONTACT/GOLD FLASH ON TAIL
 B = 15U" GOLD ON CONTACT/GOLD FLASH ON TAIL
 C = 30U" GOLD ON CONTACT/GOLD FLASH ON TAIL
 T = BRIGHT TIN
 M = MATT TIN
 D = GOLD FLASH ON CONTACT/BRIGHT TIN ON TAIL
 E = 10U" GOLD ON CONTACT/BRIGHT TIN ON TAIL
 F = 15U" GOLD ON CONTACT/BRIGHT TIN ON TAIL
 G = 30U" GOLD ON CONTACT/BRIGHT TIN ON TAIL

PACKAGING OPTIONS
 2 - TRAY
 6 - T & R
 7 - T & R & FILM
 STANDARD = 2

PIN LENGTH A (1/10mm)
 PLEASE SPECIFY PIN
 LENGTH REQUIRED
 I.E. 2.5mm = 025
 STANDARD = 060
 TOL.: ±0.25MM



RECOMMENDED PCB LAYOUT

REV. DATE & DRN
 10 06/07/05 - NYW RELEASE
 11 09/08/06 - CHC DRAWING MODIFICATION
 12 05/06/08 - CHC PLATING MODIFICATION
 13 17/07/09 - NYW ADD FILM DRAWING, REMOVE PACK OPTION 8 AND ADD 7, DRAWING MODIFICATION

Scale: 4:1	THIRD ANGLE	Unstated Tolerances: X ± 0.30 X ± 0.25 XX ± 0.15 XXX ± 0.10	Material SEE NOTE
Drawn: CHC			
App'd: XXXX	Title PIN HEADER		NOT TO SCALE
Date: 17 JAN '09	Revision: 1.3		Unit: mm



www.gradconn.com

THIS DRAWING IS CONFIDENTIAL AND MUST NOT BE COPIED OR DISCLOSED WITHOUT WRITTEN CONSENT

Type: BB02-HH
BB02-HH
Drawing Number:
Sheet 1 of 1
Drawing © E and O E