

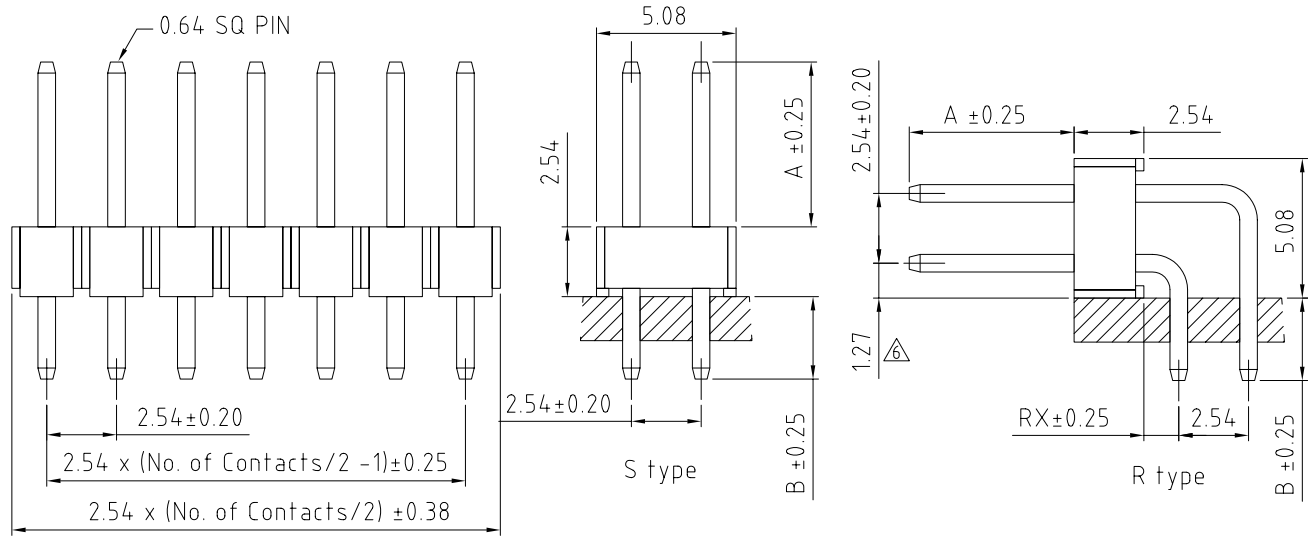
BB02-HE :- 2.54mm x 2.54mm ( 0.1" x 0.1" ) PIN HEADER, DUAL ROW, THROUGH HOLE, 04 to 80 CONTACTS, STRAIGHT OR RIGHT ANGLE

SPECIFICATIONS

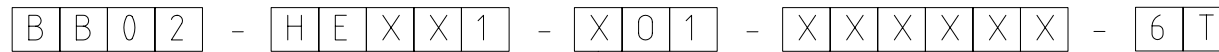
CURRENT RATING 3 AMP  
 INSULATOR RESISTANCE 1000 MEGOHMS MIN.  
 DIELECTRIC WITHSTANDING AC 600 V  
 OPERATING TEMPERATURE -40°C TO 105°C  
 CONTACT MATERIAL BRASS  
 INSULATOR MATERIAL POLYESTER UL 94V-0  
 NYLON 6T : STANDARD  
 PBT : SPECIAL OPTION  
 PLATING GOLD, TIN OR SELECTIVE OVER 30-50U" NICKEL  
 SOLDERABILITY: NYLON 6T - IR REFLOW: 260°C FOR 10 SEC  
 WAVE: 230°C FOR 5-10 SEC  
 MANNUAL SOLDER: 350°C FOR 3-5 SEC  
 PBT - MANNUAL SOLDER: 330°C FOR 3-5 SEC  
 (NOT SUITABLE FOR HI-TEMP PROCESS)

PACKED LOOSE IN BAG OR BOX.

MATES WITH :- BB02-JM BB02-KM BB02-LE  
 BB02-KA BB02-KQ  
 BB02-KD BB02-KS  
 BB02-KF BB02-KT  
 BB02-KG BB02-KU  
 BB02-KH BB02-KW  
 BB02-KK BB02-LD



HOW TO ORDER



NO. OF CONTACTS  
04 to 80

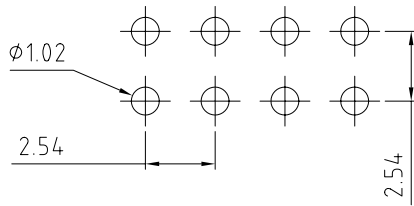
CONTACT PLATING OPTIONS  
 K = GOLD FLASH (STANDARD)  
 A = 10U" GOLD ON CONTACT/GOLD FLASH ON TAIL  
 B = 15U" GOLD ON CONTACT/GOLD FLASH ON TAIL  
 C = 30U" GOLD ON CONTACT/GOLD FLASH ON TAIL  
 T = BRIGHT TIN  
 M = MATT TIN  
 D = GOLD FLASH ON CONTACT/BRIGHT TIN ON TAIL  
 E = 10U" GOLD ON CONTACT/BRIGHT TIN ON TAIL  
 F = 15U" GOLD ON CONTACT/BRIGHT TIN ON TAIL  
 G = 30U" GOLD ON CONTACT/BRIGHT TIN ON TAIL

PIN LENGTH A (1/10mm)  
PLEASE SPECIFY PIN LENGTH REQUIRED  
I.E. 2.5mm = 25  
STANDARD = 60

PIN LENGTH B (1/10mm)  
PLEASE SPECIFY PIN LENGTH REQUIRED  
I.E. 2.5mm = 25  
STANDARD = 30

INSULATOR MATERIAL  $\Delta$   
 6T = NYLON 6T (STANDARD)  
 BLANK = PBT (Not suitable for new designs.)

CONNECTOR TYPE  
 S1 = STRAIGHT  
 R1 = RIGHT ANGLE 1.5mm  
 R2 = RIGHT ANGLE 2.0mm  
 $\Delta$  R3 = RIGHT ANGLE 2.5mm



RECOMMENDED PC BOARD HOLE LAYOUT (TOLERANCE: ±0.05)

REV	DATE & DRN
1.0	21/07/03 - SJT NEW
1.1	23/08/04 - CHC
1.2	25/07/05 - NYW
1.3	27/04/06 - NYW
1.4	14/08/06 - NYW
1.5	18/07/08 - NYW
1.6	05/08/08 - NYW
1.7	06/02/09 - CHC

ADD DIM. TOLERANCE.
ADD B3 OPTION.
ADD PLASTIC OPTION.
DRAWING MODIFICATION.
PLATING MODIFICATION.
ADD DIMENSION.
DRAWING MODIFICATION.

Scale:	5:1
Drawn:	CHC
App'd:	XXX
Date:	6 FEB '09

THIRD ANGLE	
Title	PIN HEADER
Revision:	1.7

Unstated Tolerances:
X ±0.30
X ±0.25
XX ±0.15
XXX ±0.10

Material	SEE NOTE
	NOT TO SCALE
Unit	mm

Type:	BB02-HE
BB02-HE	
Drawing Number:	
Sheet 1	of 1
Drawing	E and 0 E