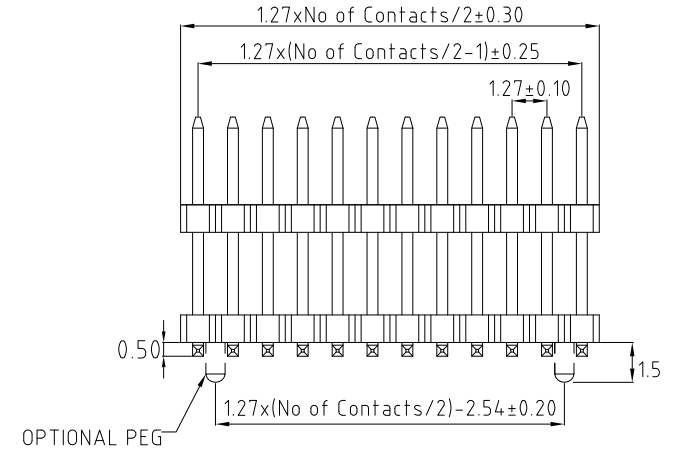
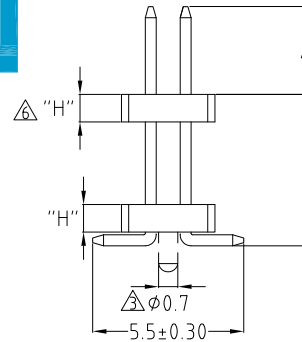
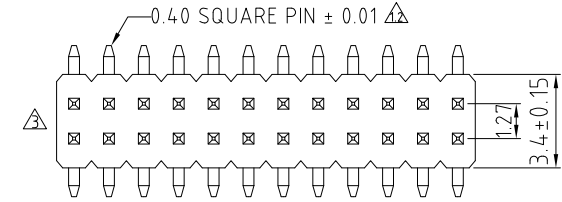
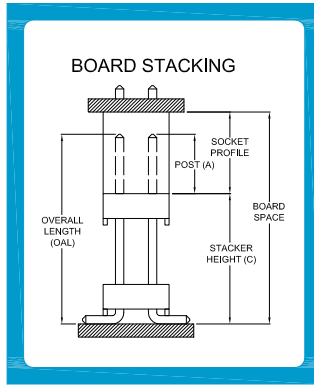


BB02-BK :- 1.27x1.27mm (0.05"x0.05") SMD PIN HEADER, BOARD SPACER, DUAL ROW, STRAIGHT, 4 TO 100 CONTACTS

SPECIFICATIONS

CURRENT RATING	1 AMP
INSULATOR RESISTANCE	1000 MEGOHMS MIN.
DIELECTRIC WITHSTANDING	AC 300 V
CONTACT RESISTANCE	20m OHMS MAX.
OPERATING TEMPERATURE	-40°C TO +105°C
CONTACT MATERIAL	BRASS
INSULATOR MATERIAL	POLESTER, UL94V-0 STANDARD LCP Δ
PLATING	GOLD OR TIN OVER 30~50U" NICKEL
SOLDERABILITY	IR REFLOW: 280°C FOR 10 SEC WAVE: 250°C FOR 5-10 SEC MANUAL SOLDER: 380°C FOR 3-5 SEC

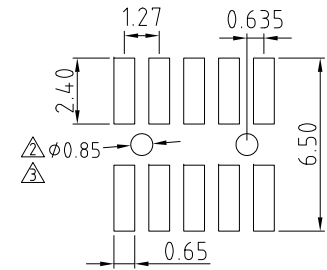
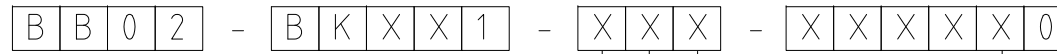


MATES WITH:

BB02-CL	BB02-CU
BB02-CM	BB02-CW
BB02-CN	BB02-CX
BB02-CQ	BB02-CZ
BB02-CR	

- NOTES:
- MAX. OAL ALLOWED FOR TAPE AND REEL PACKAGING: 25.0mm.
 - MAX. OAL (OVERALL PIN LENGTH A+C) = 32mm.

HOW TO ORDER



RECOMMENDED PC BOARD SMD LAYOUT (TOLERANCE: ±0.05)

NO. OF CONTACTS
 Δ 04 TO 98
 100 CONTACTS = 00

CONTACT PLATING OPTIONS
 K = GOLD FLASH (STANDARD)
 A = 10U" GOLD ON CONTACT/GOLD FLASH ON TAIL
 B = 15U" GOLD ON CONTACT/GOLD FLASH ON TAIL
 C = 30U" GOLD ON CONTACT/GOLD FLASH ON TAIL
 T = BRIGHT TIN
 M = MATT TIN

"H" OPTIONS
 0 = 1.0MM
 A = 2.0MM

PACKAGING OPTIONS
 3 - TUBE
 5 - TUBE & CAP
 6 - T & R (see note 1)
 8 - T & R & CAP (see note 1)

PIN LENGTH A (1/10mm)
 SPECIFY PIN LENGTH
 STANDARD = 30 = 3.0mm
 MINIMUM = 10 = 1.0mm
 MAXIMUM = 150 = 15.0mm
 TOL.: ±0.25mm

PIN LENGTH C (1/10mm)
 SPECIFY PIN LENGTH
 MINIMUM = 25 = 2.5mm (H=0)
 OR 50 = 5.0mm (H=A)
 MAXIMUM = SEE NOTE: 2
 TOL.: ±0.25mm

LONGER PIN LENGTH REQUIRED?
 If pin length required is longer than 9.9mm (99), then use a '/' to separate the numbers.
 Example: A=3.0mm, C=12.5mm, mark as 30 / 125 / X0.

WITH OR WITHOUT LOCATING PEG
 A = WITH (MIN. 6 PINS)
 B = WITHOUT

REV. DATE & DRN	10 11/03/04-NR RELEASE
11 04/08/04-NR	INSULATOR & CAP DIM.
12 14/02/05 - NYW	CHANGE PCB HOLE DIA.
13 20/04/05 - NYW	CHANGE INSULATOR DESIGN. ADD PLATING T. CHANGE LOCATING PEG DIM.
14 17/07/06 - NYW	DRAWING MODIFICATION
15 25/08/06 - NYW	AMEND TOLERANCE.
16 30/05/07 - NYW	AMEND MIN. PINH 08s-04. ADD H OPTIONS.
17 20/02/08 - NYW	PLATING MODIFICATION. CHANGE INSULATOR TO LCP.
18 17/06/08 - NYW	AMEND PCB LAYOUT.
19 17/07/08 - NYW	ADD NOTE 1.
20 25/08/08 - NYW	DRAWING MODIFICATION. ADD NOTE 2.
21 02/07/09 - CHC	ADD TOLERANCE.
22 03/02/10 - RCE	ADD TOLERANCE.

Scale:	5:1	THIRD ANGLE	Unstated Tolerances: X ± 0.30 X ± 0.25 XX ± 0.15 XXX ± 0.10	Material	SEE NOTE
Drawn:	CHC			NOT TO SCALE	
App'd:	XXXX	Title	PIN HEADER	Unit:	mm
Date:	02 DEC '08	Revision:	2.2		

THIS DRAWING IS CONFIDENTIAL AND MUST NOT BE COPIED OR DISCLOSED WITHOUT WRITTEN CONSENT

Type:	BB02-BK
Drawing Number:	BB02-BK
Sheet	1 of 1
Drawing	© E and OE