

BB02-AZ

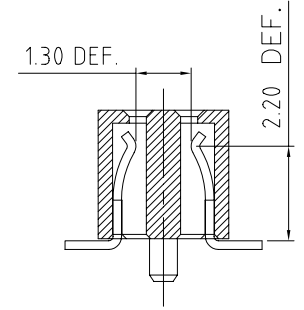
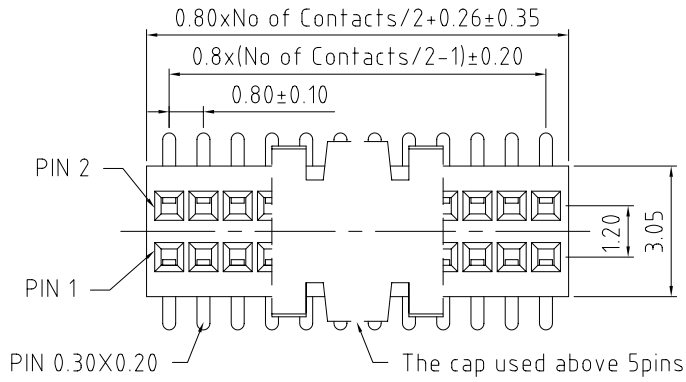
CUSTOMER PRODUCT SPECIFICATION SHEET



BB02-AZ:- 0.8x1.2MM SOCKET, DUAL ROW, STRAIGHT, SMT TYPE, 06 TO 100 CONTACTS, DUAL ENTRY

SPECIFICATIONS

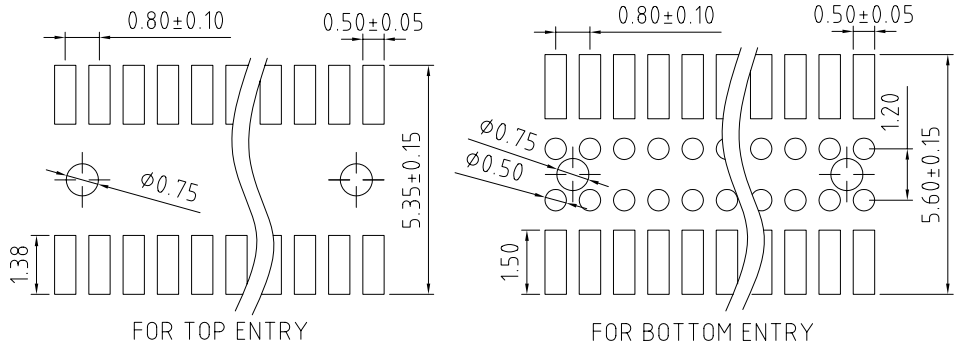
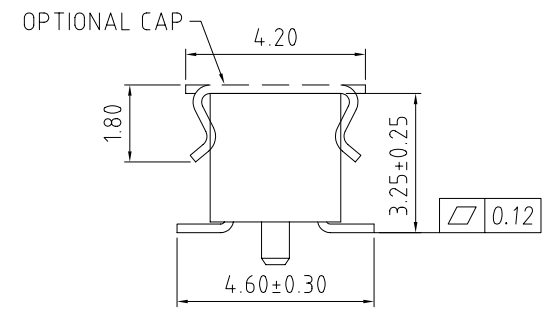
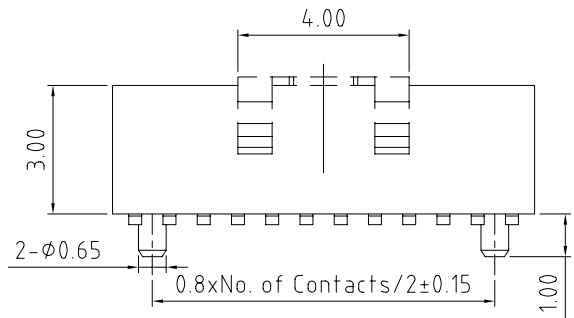
CURRENT RATING: 0.5AMP
 INSULATOR RESISTANCE: 1000 MEGOHMS MIN.
 DIELECTRIC WITHSTANDING: AC 300 V
 CONTACT RESISTANCE: 20m OHMS MAX.
 OPERATING TEMPERATURE: -40°C TO +105°C
 CONTACT MATERIAL: PHOSPHOR BRONZE
 INSULATOR MATERIAL: POLYESTER UL 94V-0
 STANDARD: LCP
 PLATING: GOLD, TIN OR SELECTIVE FLASH OVER 30-50U" NICKEL
 SOLDERABILITY IR REFLOW: 280°C FOR 10 SEC
 WAVE: 250°C FOR 5-10 SEC
 MANNUAL SOLDER: 380°C FOR 3-5 SEC



MATES WITH: - BB02-AY

NOTES:

1. RECOMMENDED MATING PIN LENGTH FOR TOP ENTRY: 2.0MM.



RECOMMENDED PCB LAYOUT

HOW TO ORDER

BB02 - AZXX2 - X0X - A00000

NO. OF CONTACTS
 06 to 98
 00 = 100

CONTACT PLATING OPTIONS
 K = GOLD FLASH (STANDARD)
 T = BRIGHT TIN
 M = MATT TIN
 D = GOLD FLASH ON CONTACT/BRIGHT TIN ON TAIL

PACKAGING OPTIONS
 3 = TUBE
 5 = TUBE + CAP
 6 = T & R
 8 = T & R + CAP

REV. DATE & DRN
 10 08/08/08/08-NYM RELEASE

Scale: 8:1	THIRD ANGLE		Unstated Tolerances: X ± 0.25 XX ± 0.15 XXX ± 0.10
Drawn: NYW	Title: SOCKET		
App'd: XXX	Revision: 1.0	Material: SEE NOTE	
Date: 8 AUG '08	Unit: mm	NOT TO SCALE	

www.gradconn.com

THIS DRAWING IS CONFIDENTIAL AND MUST NOT BE COPIED OR DISCLOSED WITHOUT WRITTEN CONSENT

Type BB02-AZ
BB02-AZ
Drawing Number:
Sheet 1 of 1
Drawing © E and O E