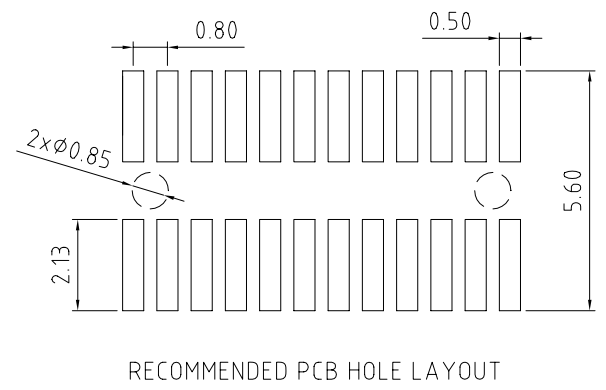
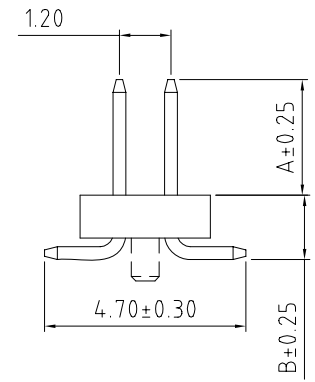
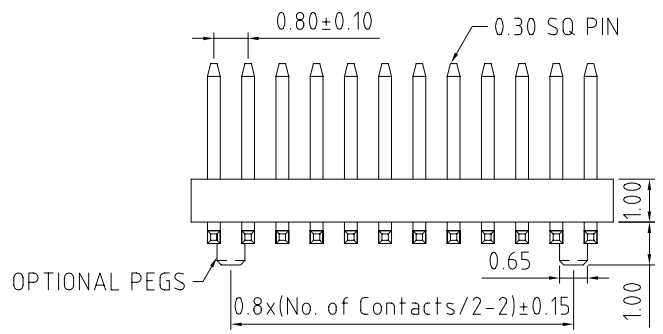
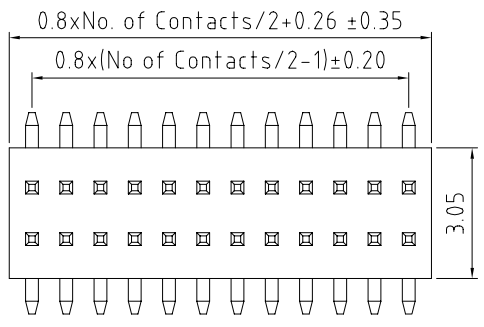


BB02-AY:- 0.8x1.2MM PIN HEADER, DUAL ROW, STRAIGHT, SMT TYPE, 06 TO 100 CONTACTS

SPECIFICATIONS

CURRENT RATING: 0.5AMP
 INSULATOR RESISTANCE: 1000 MEGOHMS MIN.
 DIELECTRIC WITHSTANDING: AC 300 V
 CONTACT RESISTANCE: 20m OHMS MAX.
 OPERATING TEMPERATURE: -40°C TO +105°C
 CONTACT MATERIAL: PHOSPHOR BRONZE
 INSULATOR MATERIAL: POLYESTER UL 94V-0
 STANDARD: NYLON 9T
 PLATING: GOLD, TIN OR SELECTIVE FLASH OVER 30-50U" NICKEL
 SOLDERABILITY IR REFLOW: 260°C FOR 10 SEC
 MANNUAL SOLDER: 350°C FOR 3-5 SEC


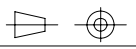
MATES WITH: - BB02-AZ



HOW TO ORDER

BB02 - AYXX1 - X0X - XXXXX0

- NO. OF CONTACTS:** 06 to 98, 00 = 100
- CONTACT PLATING OPTIONS:** K = GOLD FLASH (STANDARD), T = BRIGHT TIN, M = MATT TIN, D = GOLD FLASH ON CONTACT/BRIGHT TIN ON TAIL
- PACKAGING OPTIONS:** 3 = TUBE, 6 = T & R, 8 = T & R + CAP
- PIN LENGTH A (1/10mm):** PLEASE SPECIFY PIN LENGTH REQUIRED. I.E. 2.5mm = 25, STANDARD = 27
- PIN LENGTH B (1/10mm):** PLEASE SPECIFY PIN LENGTH REQUIRED. I.E. 2.5mm = 25, STANDARD = 15
- LOCATING PEG OPTIONS:** A = WITH PEG, B = WITHOUT PEG

REV. DATE & DRN 10 18/08/08-NYW- RELEASE 11 20/09/10-NYW ADD PACKAGING OPTION 8.	Scale: 8:1	THIRD ANGLE	Unstated Tolerances: X ± 0.25 XX ± 0.15 XXX ± 0.10	Material: SEE NOTE	 www.gradconn.com THIS DRAWING IS CONFIDENTIAL AND MUST NOT BE COPIED OR DISCLOSED WITHOUT WRITTEN CONSENT	Type: BB02-AY
	Drawn: NYW			NOT TO SCALE		BB02-AY
	App'd: XXX	Title: PIN HEADER		Unit: mm		Drawing Number: Sheet 1 of 1
	Date: 20 OCT '10	Revision: 1.1				Drawing © E and O E