

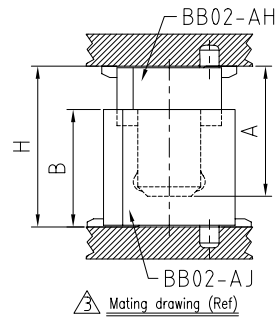
BB02-AJ - 0.8mm (0.0315") BOARD STACKER FEMALE STRAIGHT SMT TYPE 10 TO 100 CONTACTS

SPECIFICATIONS

CURRENT RATING	0.5 AMP
INSULATOR RESISTANCE	100 MEGOHMS MIN AT 250V DC
CONTACT RESISTANCE	40 m OHM MAX $\Delta$
DIELECTRIC WITHSTANDING	AC 500V (r.m.s.) AT 0.5mA FOR 1 MINUTE
OPERATING TEMPERATURE	-40°C TO +105°C
CONTACT MATERIAL	PHOSPHOR BRONZE
INSULATOR MATERIAL	HI-TEMP PLASTIC (UL 94V-0)
	STANDARD: NYLON 46
MAX. PROCESS TEMP	260°C FOR 5-10 SEC $\Delta$
PLATING	GOLD FLASH ALL OVER 30~50U" NICKEL
MATING CYCLE: 500 TIMES MIN. $\Delta$	

MATING PARTS AND MATING HEIGHT: -

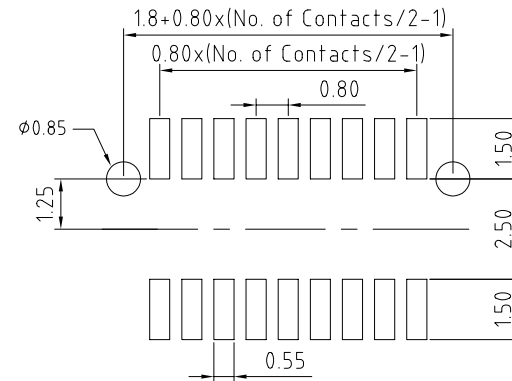
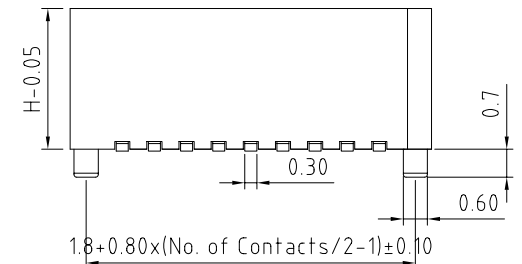
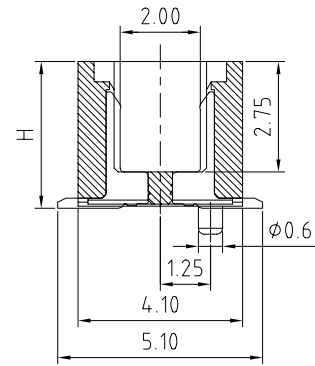
P/N (PLUG)	P/N (SOCKET)	PLUG HEIGHT A	SOCKET HEIGHT B	MATING HEIGHT H
AHXX1-KAX	AJXX2-KAX	3.55MM	3.65MM	4.5MM
AHXX1-KAX	AJXX2-KBX	3.55MM	4.15MM	5.0MM
AHXX1-KAX	AJXX2-KCX	3.55MM	5.15MM	6.0MM
AHXX1-KAX	AJXX2-KDX	3.55MM	5.65MM	6.5MM
AHXX1-KBX	AJXX2-KBX	4.05MM	4.15MM	5.5MM
AHXX1-KBX	AJXX2-KDX	4.05MM	5.65MM	7.0MM



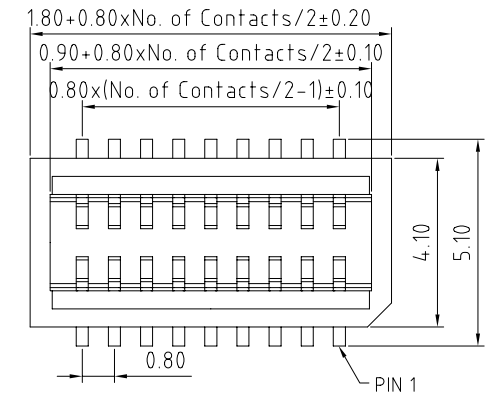
$\Delta$  Mating drawing (Ref)

NOTES:

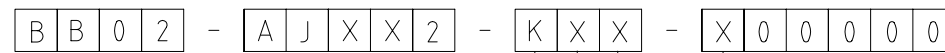
1. MOQ: TUBE - 5,000PCS, REEL - FULL REEL QTY  $\geq$  5,000PCS.
2. OTHER EVEN NUMBER CIRCUIT SIZES ARE POSSIBLE, UPTO A MAXIMUM OF 100 CONTACTS, BUT ARE NOT TOOLED AT THIS TIME. PLEASE CONTACT GRADCONN FOR DETAILS.



RECOMMENDED PC BOARD LAYOUT



HOW TO ORDER



NO OF CONTACTS  
10 TO 40 (INCLUSIVE),  
50, 60, 68, 70, 80, 90  
100 CONTACTS = 00  
(SEE NOTES 2)

CONTACT PLATING  
K = GOLD FLASH (STANDARD)

"H" HEIGHT OPTION  
A = 3.65mm  
B = 4.15mm  
C = 5.15mm  
D = 5.65mm

PACKAGING OPTIONS  
3 - TUBE (STANDARD)  
 $\Delta$  6 - REEL  
8 - REEL + CAP

$\Delta$  WITH OR WITHOUT  
LOCATING PEG  
0 = WITH (STANDARD)  
1 = WITHOUT

REV.	DATE & DRN	1.0	20/06/05-NYW	RELEASE
		1.1	31/03/06-NYW	AMEND MAX. PROCESSING TEMP 250C TO 260C
		1.2	15/07/06-NYW	ADD MATING CYCLE
		1.3	06/07/07-NYW	ADD MATING DRAWING
		1.4	22/04/08-NYW	ADD CONTACT RESISTANCE
		1.5	08/08/08-NYW	ADD TOLERANCE
		1.6	07/07/08 - CHC	ADD TELEPHONE
		1.7	24/10/08 - CHC	ADD WITHOUT PEG OPTION
		1.8	26/11/08 - CHC	ADD PACKAGING OPTION 6
		1.9	15/07/09 - NYW	ADD NOTES 2

Scale	8:1
Drawn	CHC
App'd	XXX
Date	15 OCT '09

THIRD ANGLE	
Title	SOCKET
Revision:	1.9

General Tolerances $\Delta$	X $\pm$ 0.20 XX $\pm$ 0.15
Material	SEE NOTE
NOT TO SCALE	
Unit:	mm

Material	SEE NOTE
NOT TO SCALE	
Unit:	mm

www.gradconn.com

THIS DRAWING IS CONFIDENTIAL AND MUST NOT BE COPIED OR DISCLOSED WITHOUT WRITTEN CONSENT

Type	BB02-AJ
Drawing Number	BB02-AJ
Sheet	1 of 1
Drawing	$\Delta$ E and OE