

RFPC-SMA15-FN: RP SMA Right Angle Bulkhead Jack With O-ring, PCB Connector, Rated to IP67/68, 6GHz

Material and Plating:

- Insulator A: Teflon
- Insulator B: Teflon
- Insulator C: Teflon
- Body A: Brass, Gold Plated
- Body B: Brass, Gold Plated
- Pin A: Brass, Gold Plated
- Pin B: Brass, Gold Plated
- Gasket: Silicon, Color: Red
- O-Ring: Silicone, Color: Red
- Cap: Brass, Gold Plated

Washer: Brass, Gold Plated

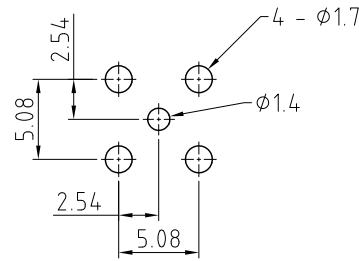
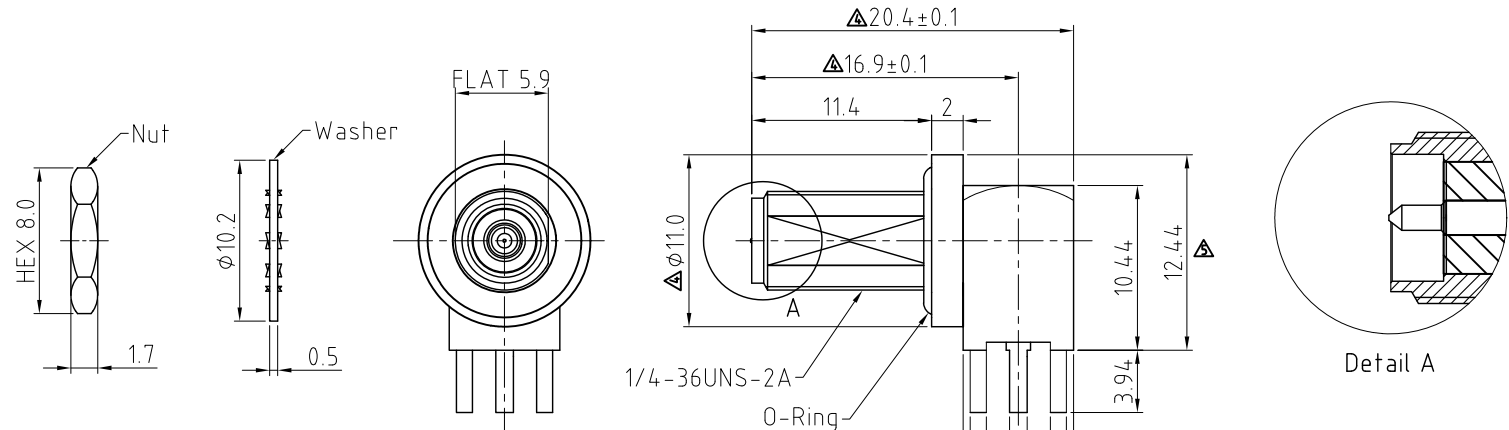
Nut: Brass, Gold Plated

Environmental:

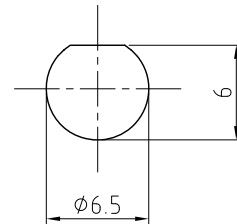
- A. Tested to:
  - i. IP6x - Dust tight - no particle ingress.
  - ii. IPx7 Waterproof for 30 minutes up to 1 meter underwater.
  - iii. IPx8 Waterproof for 48 hours at 1 meter underwater.

Notes:

1. Packaging Type: Tray.
2. Working Frequency Range: DC-6GHz.
3. Operating Temperature: -65°C~+165°C.
4. Impedance: 50 ohm.



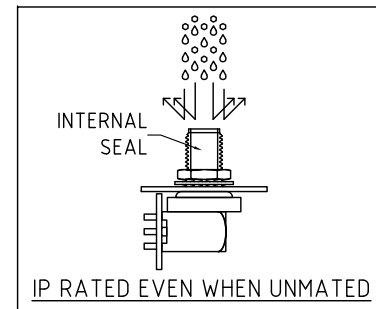
Recommended PCB Hole Layout



Recommended Mounting Hole  
Applicable Panel Thickness:  
Min. 0.7mm ~ Max. 3.2mm

HOW TO ORDER  
RFPC - SMA15 - FN - X

WASHER AND NUT OPTIONS:  
BLANK = SEPARATELY PACKED (STANDARD)  
A = ALL ASSEMBLED WITH CONNECTOR



REV. DATE & DRN
10/17/17 - NYW RELEASE
11/25/17/18 - NYW RELEASE
12/15/17 - NYW RELEASE OFFICIAL DRAWING
12/15/17 - NYW ADD WASHER & NUT OPTIONS
13/27/18 - NYW ADD OPERATING TEMP.
14/25/17/19 - NYW ADD UNSTATED TOLERANCE.
15/13/17/23 - NYW ADD TOLERANCE TO DIMENSIONS
16/16/17/23 - NYW ADD DIMENSION
17/16/17/23 - NYW ADD IMPEDANCE
18/20/17/24 - NYW UPDATE FREQUENCY & TEMP.
19/31/17/24 - CC ADD PANEL THICKNESS.
19/31/17/24 - CC ADD IP RATING VIEW

Scale: NTS	THIRD ANGLE	Unstated Tolerances:
Drawn: CC		.X ±0.20
App'd: XXX	Title SMA PCB Connector	.XX ±0.20
Date: 31 MAR. '24	Revision: 1.9	.XXX ±0.20
	Unit: mm	ANGLES ±2°

		Type: RFPC-SMA15-FN
IP Rated RF Products	www.gradconn.com	RFPC-SMA15-FN
© THIS DRAWING IS CONFIDENTIAL AND MUST NOT BE COPIED OR DISCLOSED WITHOUT WRITTEN CONSENT		Drawing Number:
		Sheet 1 of 1
		Drawing © E and O E