

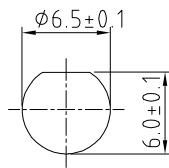
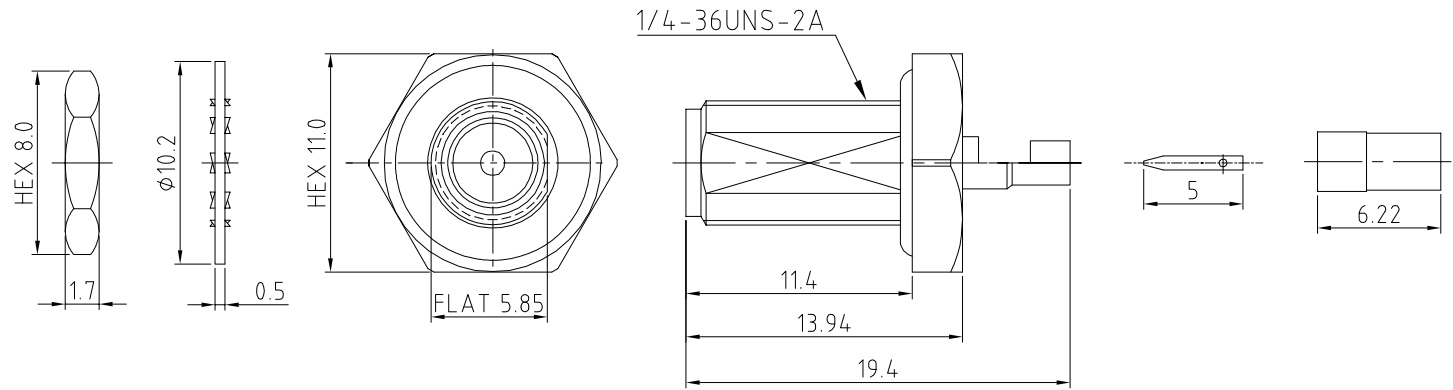
RFCT-SMA069-F78: SMA STRAIGHT BULKHEAD JACK WITH O-RING RATED TO IP67/68, 6GHZ, FOR 0.81/1.13/1.32/1.37/1.48/RG178 CABLES, 6GHz

Material and plating:

1. Nut: Brass, gold plated.
2. Washer: Brass, gold plated.
3. Body: Brass, gold plated.  
Gasket: Silicone, color: red.  
O-ring: Silicone, color: red.  
Pin: Phosphor bronze, gold plated.  
Insulator: Teflon.
4. Pin: Phosphor bronze, gold plated.
5. Ferrule: Brass, gold plated.

Environmental:

- A. Rated to:
- i. IP6x - Dust tight - no particle ingress.
  - ii. IPx7 Waterproof for 30 minutes up to 1 meter underwater.
  - iii. IPx8 Waterproof for 48 hours at 1 meter underwater.



RECOMMENDED SMA MOUNTING HOLE  
MAX. PANEL THICKNESS: 2.2MM

REV. DATE & DRN  
10 10/01/20 - NYW RELEASE  
11 02/08/21 - NYW  
ADD WORKING FREQUENCY.

Scale: NTS	THIRD ANGLE	Unstated X .XX .XXX ANGLES	Tolerances: N/A N/A N/A N/A
Drawn: NYW			
App'd: XXX	Title SMA BULKHEAD JACK		
Date: 2 AUG. '21	Revision: 1.1	Unit: mm	

IP67/68 Rated Cables

www.gradconn.com

Type: RFCT-SMA069-F78
RFCT-SMA069-F78
Drawing Number:
Sheet 1 of 1
Drawing © E and O E