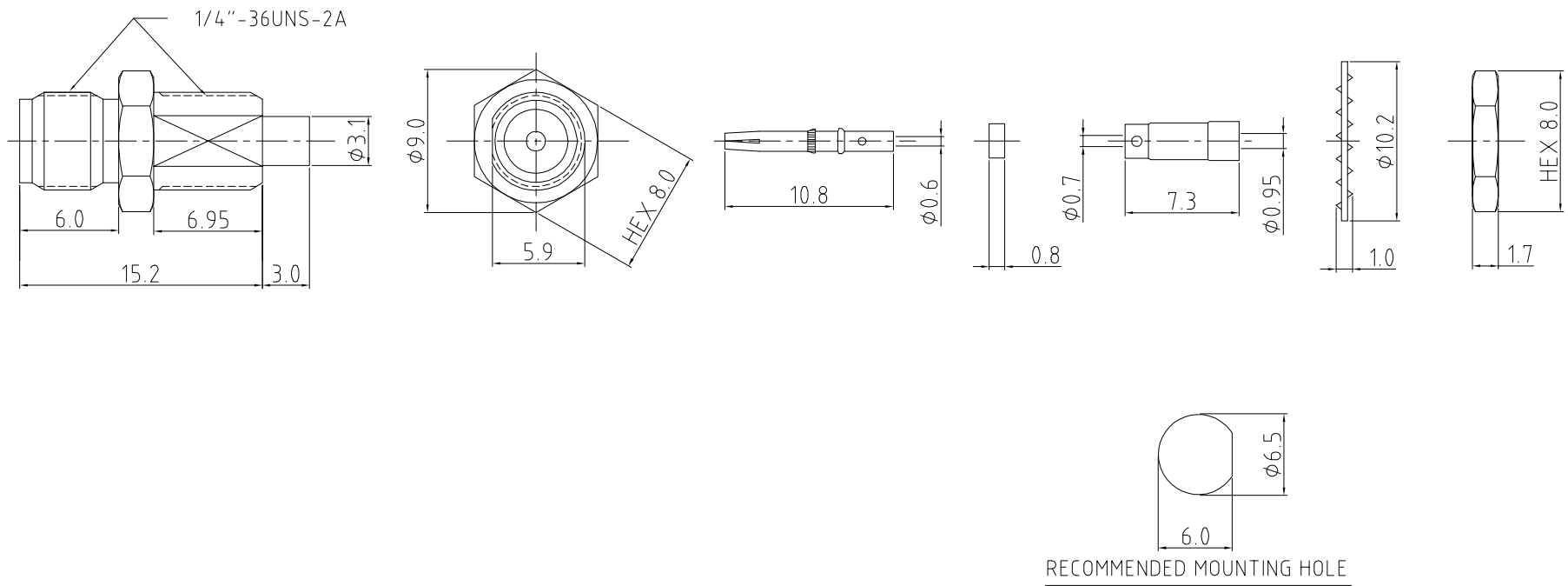


RFCT-SMA028-F08: FRONT MOUNT SMA STRAIGHT BULKHEAD JACK SOLDER FOR 0.81MM CABLE, 6GHz

Material and Plating:  
 Body: Brass, Gold Plated.  
 Pin: Be Cu, Gold Plated.  
 Insulator A: Teflon.  
 Sleeve: Brass, Nickel Plated.  
 Nut: Brass, Gold.  
 Washer: Brass, Gold.  
 Insulator B: Teflon.



REV. DATE & DRN  
 TO: 11/07/21 - NYW RELEASE  
 11/30/08/21 - NYW  
 ADD WORKING FREQUENCY.

Scale: NTS	THIRD ANGLE	Unstated .X .XX .XXX ANGLES	Tolerances: N/A N/A N/A N/A
Drawn: NYW			
App'd: XXX	Title SMA BULKHEAD JACK		
Date: 31 AUG. '21	Revision: 1.1	Unit: mm	

www.gradconn.com

THIS DRAWING IS CONFIDENTIAL AND MUST NOT BE COPIED OR DISCLOSED WITHOUT WRITTEN CONSENT

Type: RFCT-SMA028-F08
RFCT-SMA028-F08
Drawing Number:
Sheet 1 of 1
Drawing © E and O E