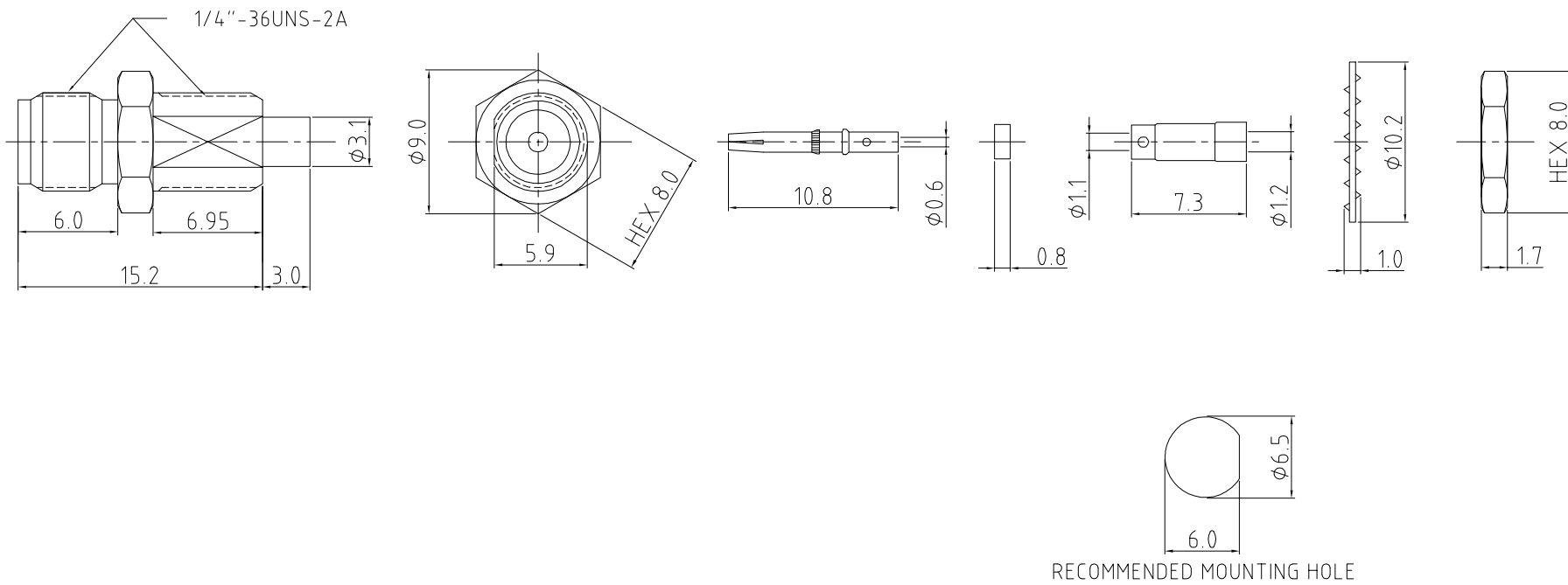


RFCT-SMA020-F13: FRONT MOUNT SMA STRAIGHT BULKHEAD JACK SOLDER FOR 1.13MM CABLE, 6GHz

Material and Plating:
 Body: Brass, Gold Plated.
 Pin: Be Cu, Gold Plated.
 Insulator A: Teflon.
 Sleeve: Brass, Nickel Plated.
 Nut: Brass, Gold.
 Washer: Brass, Gold.
 Insulator B: Teflon.



RECOMMENDED MOUNTING HOLE

REV. DATE & DRN
 TO: 07/08/16 - NYW RELEASE
 11/30/08/21 - NYW
 ADD WORKING FREQUENCY.

Scale: NTS
 Drawn: NYW
 App'd: XXX
 Date: 31 AUG. '21

THIRD ANGLE
 Unstated: .X, .XX, .XXX, ANGLES
 Tolerances: N/A, N/A, N/A, N/A
 Title: SMA BULKHEAD JACK
 Revision: 1.1
 Unit: mm

GradConn
 www.gradconn.com

Type: RFCT-SMA020-F13
 RFCT-SMA020-F13
 Drawing Number:
 Sheet 1 of 1
 Drawing © E and O E

THIS DRAWING IS CONFIDENTIAL AND MUST NOT BE COPIED OR DISCLOSED WITHOUT WRITTEN CONSENT