



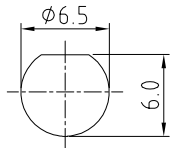
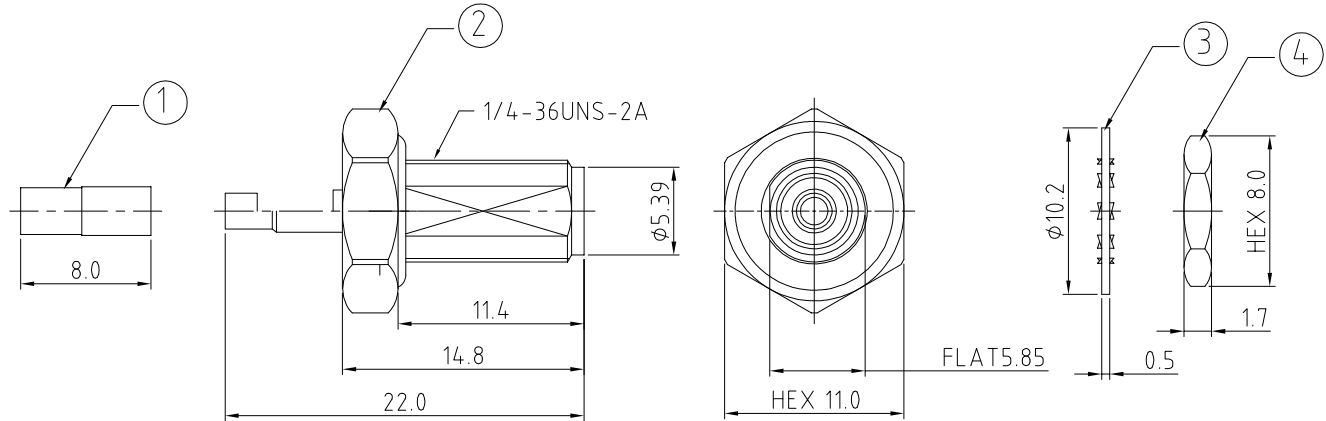
RFCT-SMA002-F78: SMA STRAIGHT BULKHEAD JACK WITH O-RING RATED TO IP67/68, SOLDER FOR  $\phi 0.81$  - RG178 CABLE, 3GHz

Material and Plating:

- 1. Ferrule: Brass, Gold Plated.
- 2. Barrel: Brass, Gold Plated.  
Gasket: Silicon, Color: Red.  
Pin: PHOSPHOR BRONZE, Gold Plated.  
Insulator: Teflon.  
Body: Brass, Gold Plated.  
O-ring: Silicon, Color: Red.
- 3. Washer: Brass, Gold Plated.
- 4. Nut: Brass, Gold Plated.

Environmental:

- A. Tested to:
- i. IP6x - Dust tight - no particle ingress.
  - ii. IPx7 Waterproof for 30 minutes up to 1 meter underwater.
  - iii. IPx8 Waterproof for 48 hours at 1 meter underwater.
  - iv. IPx8 Waterproof for 12 hours at 5 meters underwater.
  - v. Pressure test - 1 bar for 10 seconds.



RECOMMENDED SMA MOUNTING HOLE  
MAX. PANEL THICKNESS: 2.2MM  
TOLERANCE:  $\pm 0.1$

REV. DATE & DRN	10 11/06/15 - NYW RELEASE
	11 29/10/15 - NYW ADD IP67/68 RATING INFO.
	12 11/03/17 - NYW DRAWING AMENDMENT.
	13 29/07/19 - NYW ADD MAX. PANEL THICKNESS.
	14 02/08/21 - NYW ADD WORKING FREQUENCY.

Scale: NTS	THIRD ANGLE	Unstated Tolerances:
Drawn: NYW		X N/A .XX N/A .XXX N/A ANGLES N/A
App'd: XXX	Title SMA BULKHEAD JACK	
Date: 2 AUG. '21	Revision: 1.4	Unit: mm

IP67/68 Rated Cables

www.gradconn.com

Type: RFCT-SMA002-F78
RFCT-SMA002-F78
Drawing Number:
Sheet 1 of 1
Drawing © E and O E