

RFA-100-005: SMA ANTENNA WITH ELBOW, 600MHz to 5950MHz, RATED TO IPX5, ADDITIONAL SNAP 45°

Material and plating:

1. SMA Plug: Brass, Nickel plating
2. Bottom Base: PC+PBT, Black
3. Rivet: POM, Black
4. Upper Base: PC+PBT, Black
5. Cap: ABS, Black

Electrical

Frequency Range:

600~960Mhz, 1428~1690Mhz  
1710~2690Mhz; 3300~5950MHz

Impedence: 50Ω

VSWR: 600~960Mhz<3.0; 1428Mhz<4.0,  
1690Mhz<2.5; 1710Mhz<2.5;  
2690Mhz<3.5, 3300Mhz<3.5,  
5950MHz<2.5

Radiation: Omni Directional

Gain: 3dBi +/-0.5

Polarization: Vertical

Maximum Power: 1W

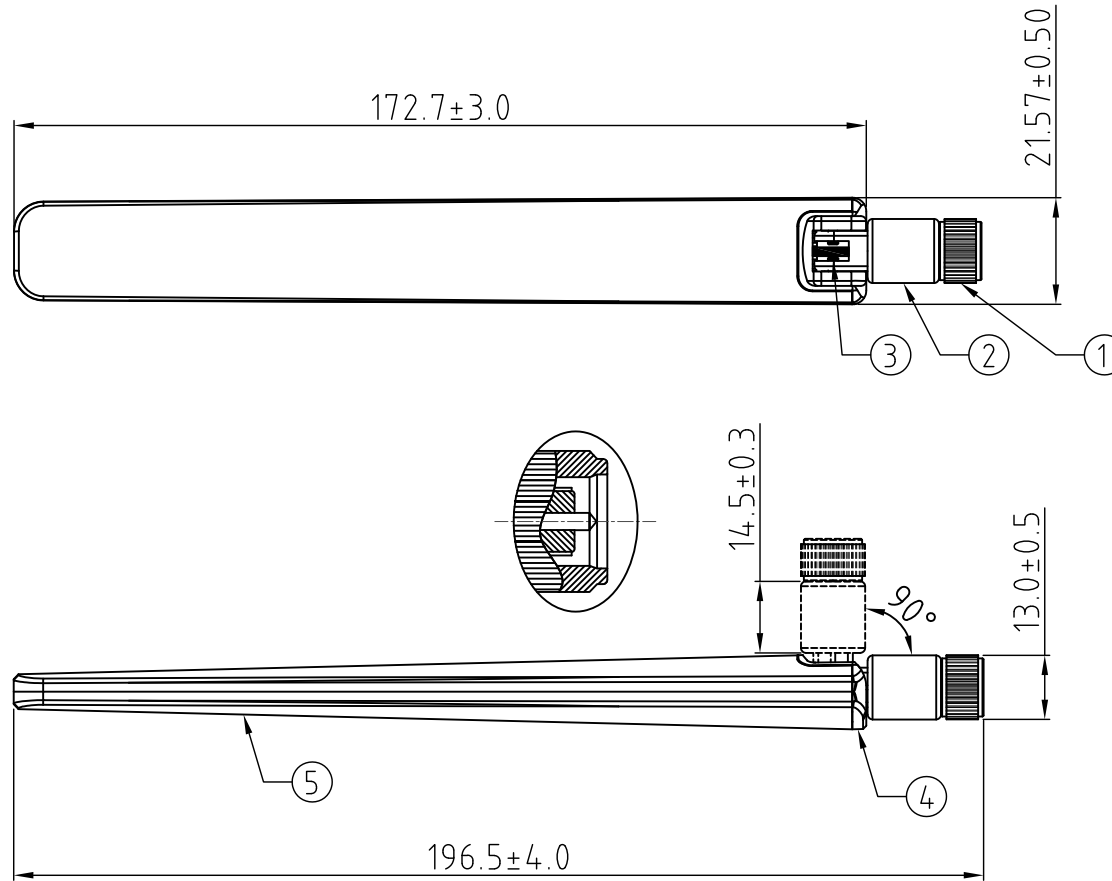
Mechanical & Environment

Operating Temperature: -20°C to +65°C

Ingress Protection Rating: IPX5

Weight: 23.1g

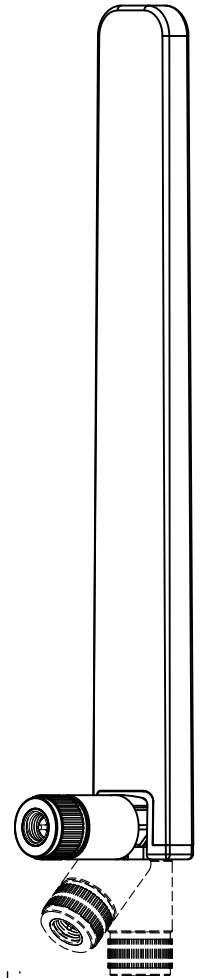
Lead free ROHS



Right Angle  
Position

45°  
Position

Straight  
Position



REV. DATE & DRN  
1.0 04/08/23 - CC RELEASE  
1.1 24/01/24 - CC  
Remove IP protection rating  
1.2 07/02/24 - CC  
Add IPX5 to the drawing

|                  |                   |  |                      |  |                     |
|------------------|-------------------|--|----------------------|--|---------------------|
| Scale: NTS       | THIRD ANGLE       | Unstated Tolerances:<br>.X ± 0.30<br>.XX ± 0.20<br>.XXX ± 0.10<br>ANGLES | Material<br>SEE NOTE | <br>www.gradconn.com<br>THIS DRAWING IS CONFIDENTIAL AND MUST NOT BE COPIED OR DISCLOSED WITHOUT WRITTEN CONSENT | Type: RFA-100-005   |
| Drawn: CC        |                   |  |                      |  | RFA-100-005         |
| App'd: PH        | Title SMA Antenna |  | NOT TO SCALE         |  | Drawing Number:     |
| Date: 7 Feb. '24 | Revision: 1.2     |  | Unit: mm             |  | Sheet 1 of 1        |
|                  |                   |  |                      | ©  | Drawing © E and O E |