

CAB526RF: I-PEX MHF LK PLUG + FRONT MOUNT S/S SMA STRAIGHT BULKHEAD JACK W/O-RING RATED TO IP68/69K + Ø1.37MM CABLE, 6GHz

SPECIFICATIONS :

1. I-PEX MHF LK PLUG, GOLD PLATED, P/N: 20670-001R-37 + 3376-000.
2. Ø1.37MM COAXIAL CABLE, COLOR: BLACK.
3. FRONT MOUNT SMA STRAIGHT BULKHEAD JACK W/O-RING, W/SUS303 STAINLESS STEEL BODY, RATED TO IP68/69K, P/N: RFCT-SMA095-F78 (WITH SILICONE O-RING) OR RFCT-SMA095-F78-1 (WITH EPDM O-RING).

ENVIRONMENTAL:

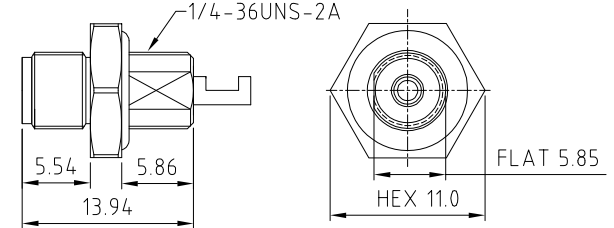
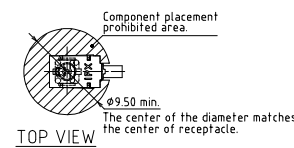
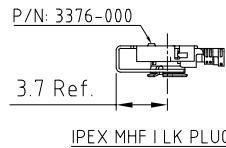
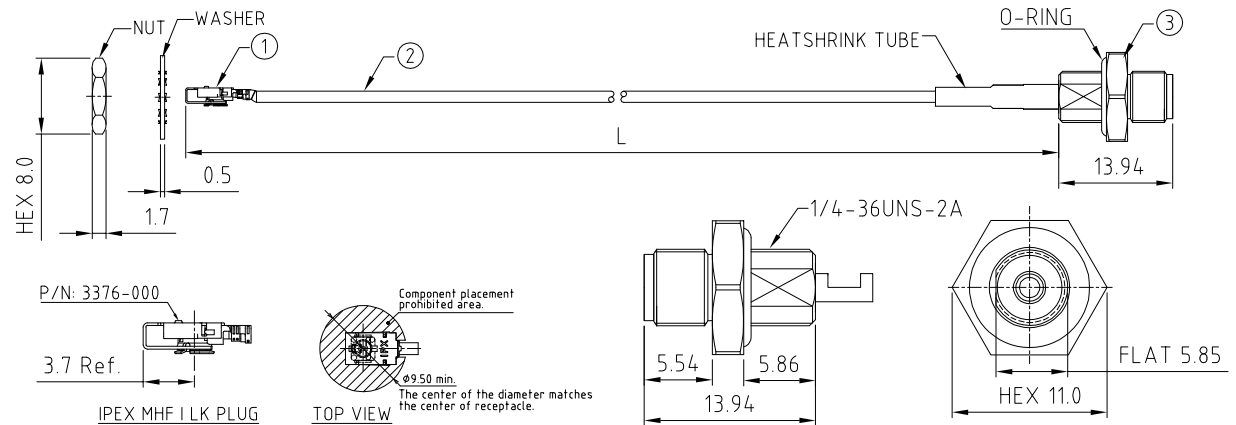
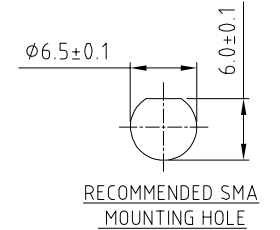
- A. BULKHEAD MOUNTED CONNECTOR (RFCT-SMA095-F78) TESTED TO THE FOLLOWING SPECIFICATION:
- i. IP6X - DUST TIGHT - NO PARTICLE INGRESS.
 - ii. IPX8 WATERPROOF FOR 48 HOURS AT 1 METER UNDERWATER.
 - iii. IPX9K WATER SPRAY, 14-16L PER MINUTE, AT 8,000-10,000 KPA, AT 100-150MM DISTANCE FOR 30 SECONDS.

NOTES:

1. THE ORIENTATION OF CONNECTORS ON DRAWING IS FOR REFERENCE ONLY, IF THE ORDER IS LEFT BLANK THE CONNECTOR WILL NOT HAVE FIXED ORIENTATION.
2. FIXED ORIENTATION IS SUGGESTED FOR CABLE LENGTH 50MM TO 100MM. PLEASE SPECIFY THE FIXED ORIENTATIONS FROM THE ORDER CODE (F1, F2, ETC)
3. CONTACT GRADCONN IF THE ORIENTATION YOU REQUIRE IS NOT SHOWN.
4. WORKING FREQUENCY RANGE: DC-6GHz.
5. OPERATING TEMPERATURE: -40°C TO +85°C
6. IMPEDANCE: 50 OHM
7. IF THE CONNECTOR IS USED IN A CORROSIVE ENVIRONMENT, WE RECOMMEND THE CONNECTOR FACE IS PROTECTED WITH A STAINLESS STEEL DUST CAP.
8. PLEASE USE THE RECOMMENDED TORQUE FORCES FOR STAINLESS STEEL CONNECTORS. THIS IS PUBLISHED ON GRADCONN.COM RESOURCES PAGE.

USAGE PRECAUTIONS: CABLES USING 'MICRO' COAX ARE DELICATE:

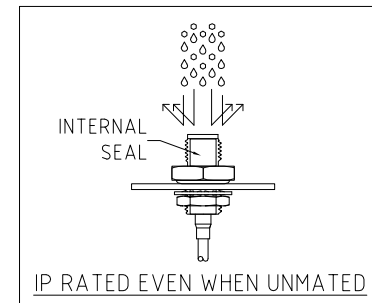
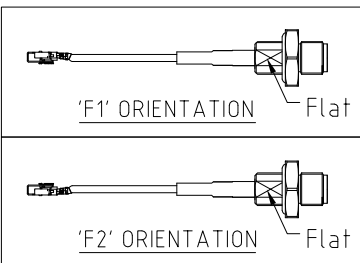
- (i) HANDLE WITH CARE.
- (ii) DO NOT TWIST; APPLY EXCESSIVE FORCES OR SHARP BENDS TO THE CABLE. DO NOT FORCEFULLY DEFORM WIRES.
- (iii) CONSULT CONNECTOR MANUFACTURER'S DATASHEETS FOR DETAILED NOTES ON HANDLING INSTRUCTIONS.



HOW TO ORDER
CAB526RF - X X X X - X X - X - 1 - X

- "L" LENGTH IN MM:
eg: 100MM = 0100
(MIN. 0050-MAX.0400
STANDARD = 0100, 0150, 0200)
Tolerance: 50mm: ±2mm.
51-200mm: ±5mm.
201-400mm: ±7mm.
- CABLE SIZE:
1 = Ø1.37MM CABLE, COLOR: BLACK.
- WASHER AND NUT OPTIONS:
BLANK = SEPARATELY PACKED (STANDARD)
A = ALL ASSEMBLED WITH CONNECTOR
- O-RING MATERIAL OPTIONS:
S = SILICONE, RED
E = EPDM, BLACK (STANDARD)

- ORIENTATION OPTIONS:
BLANK = DOES NOT HAVE A FIXED ORIENTATION
F1 = MHF CONNECTION DOWN (L=50-200MM)
F2 = MHF CONNECTION UP (L=50-200MM)
(SEE NOTES 1, 2, 3 AND DIAGRAMS FOR MORE INFORMATION)



REV. DATE & DRN
10 01/09/12 - NYW RELEASE
11 21/12/12 - NYW
ADD NOTE &
12 03/02/24 - CC
ADD IP RATING VIEW
13 01/03/24 - NYW
MARK EPDM AS STANDARD.

Scale: NTS	THIRD ANGLE	Unstated .X .XX .XXX ANGLES	Tolerances: N/A N/A N/A N/A
Drawn: NYW			
App'd: XXX	Title: CABLE ASSEMBLY		
Date: 1 MAR. '24	Revision: 13	Unit: mm	

IP Rated RF Products www.gradconn.com

Drawing Number: CAB526RF	
Sheet 1	of 1
Drawing ©	E and O E