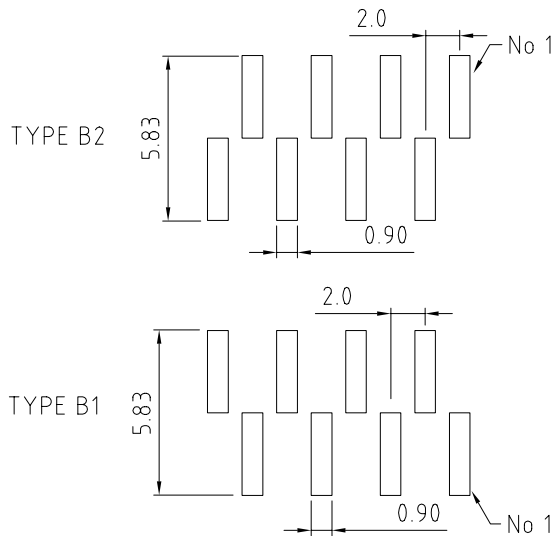
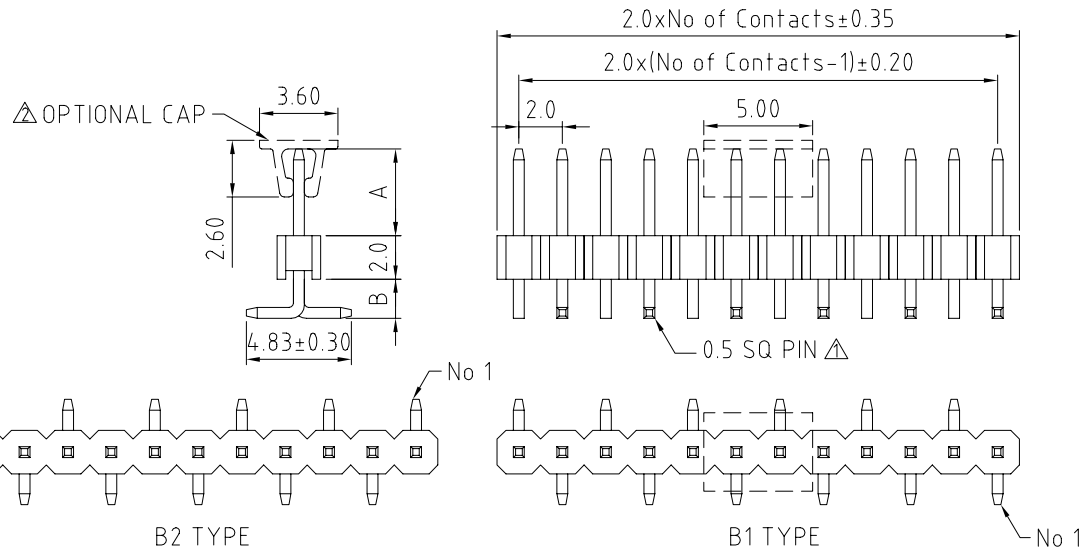


BB02-FL :- 2.00mm ( 0.079" ) CENTRE SMD PIN HEADER, SINGLE ROW - 2 - 40 CONTACTS, SQUARE PIN

SPECIFICATIONS

CURRENT RATING	2 AMP
INSULATOR RESISTANCE	1000 MEGOHMS MIN.
DIELECTRIC WITHSTANDING	AC 500 V
CONTACT RESISTANCE	20m OHMS MAX.
OPERATING TEMPERATURE	-40°C TO +105°C
CONTACT MATERIAL	BRASS
INSULATOR MATERIAL	THERMOPLASTIC, UL 94V-0 STANDARD NYLON 6T
PLATING	GOLD, TIN, OR SELECTIVE OVER 30~50U" NICKEL
SOLDERABILITY	IR REFLOW: 260°C FOR 10 SEC MANNUAL SOLDER: 350°C FOR 3-5 SEC

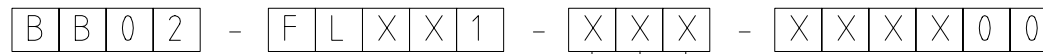
MATES WITH :- BB02-GD BB02-RW  
BB02-GS  
BB02-RK  
BB02-RS



(TOLERANCE: ±0.05)

RECOMMENDED PC BOARD SMD LAYOUTS

HOW TO ORDER



NO. OF CONTACTS 02 TO 40	CONTACT PLATING OPTIONS K = GOLD FLASH (STANDARD) A = 10U" GOLD ON CONTACT/GOLD FLASH ON TAIL B = 15U" GOLD ON CONTACT/GOLD FLASH ON TAIL C = 30U" GOLD ON CONTACT/GOLD FLASH ON TAIL T = BRIGHT TIN M = MATT TIN D = GOLD FLASH ON CONTACT/BRIGHT TIN ON TAIL E = 10U" GOLD ON CONTACT/BRIGHT TIN ON TAIL F = 15U" GOLD ON CONTACT/BRIGHT TIN ON TAIL G = 30U" GOLD ON CONTACT/BRIGHT TIN ON TAIL	1 = B1 TYPE 2 = B2 TYPE	PACKAGING OPTIONS 2 - LOOSE IN BOX $\Delta$ 3 - TUBE 5 - TUBE & CAP 8 - T & R & CAP	PIN LENGTH A (1/10mm) PLEASE SPECIFY PIN LENGTH REQUIRED I.E. 2.5mm = 25 STANDARD = 58 TOL: ±0.2MM	PIN LENGTH B (1/10mm) PLEASE SPECIFY PIN LENGTH REQUIRED I.E. 2.5mm = 25 STANDARD = 18 MINIMUM=06 TOL: ±0.2MM $\Delta$
-----------------------------	--	----------------------------	---	--	---

REV.	DATE & DRN
10	06/04/03-NR- NEW
11	10/11/04 - NYW
12	30/11/04 - NYW
13	20/07/06 - NYW
14	06/02/07 - CHC
15	02/06/08 - CHC
16	20/07/09 - CHC

Scale: 4:1	THIRD ANGLE	Unstated Tolerances: X ± 0.30 .X ± 0.25 .XX ± 0.15 .XXX ± 0.10	Material SEE NOTE
Drawn: CHC			
App'd: XXXX	Title PIN HEADER		NOT TO SCALE
Date: 20 JAN '09	Revision: 1.6		Unit: mm

www.gradconn.com

THIS DRAWING IS CONFIDENTIAL AND MUST NOT BE COPIED OR DISCLOSED WITHOUT WRITTEN CONSENT

Type: BB02-FL
BB02-FL
Drawing Number:
Sheet 1 of 1
Drawing © E and O E