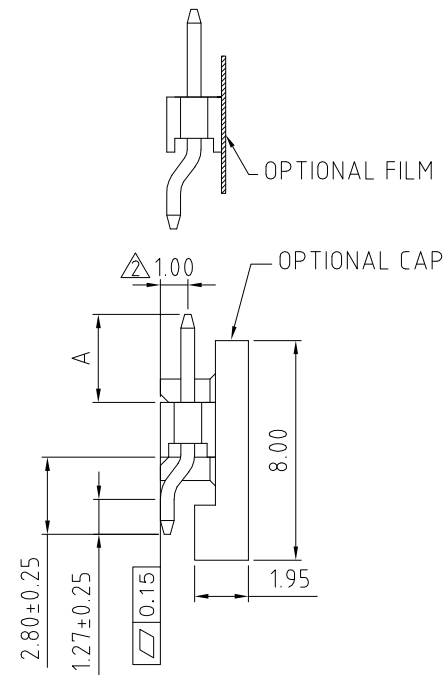
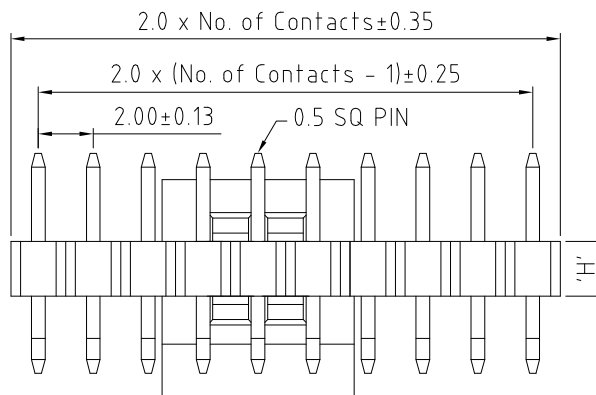
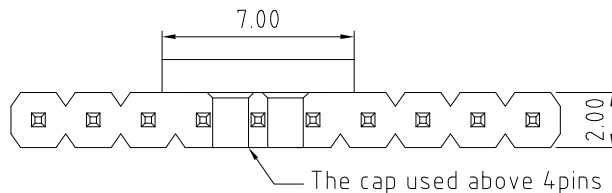


BB02-FK :- 2.00mm (0.079") SMD PIN HEADER, SINGLE ROW, 2 to 40 CONTACTS, 2.00MM INSULATOR HEIGHT

SPECIFICATIONS

CURRENT RATING 2 AMP
 INSULATOR RESISTANCE 1000 MEGOHMS MIN.
 DIELECTRIC WITHSTANDING AC 500 V
 OPERATING TEMPERATURE -40°C TO +105°C
 CONTACT MATERIAL BRASS
 INSULATOR MATERIAL THERMOPLASTIC, UL 94V-0
 STANDARD: NYLON 6T
 PLATING GOLD, TIN OR SELECTIVE OVER 30-50U" NICKEL
 SOLDERABILITY IR REFLOW: 260°C FOR 10 SEC
 MANUAL SOLDER: 350°C FOR 3-5 SEC

MATES WITH: - BB02-GD BB02-RW
 BB02-GS
 BB02-RK
 BB02-RS



HOW TO ORDER



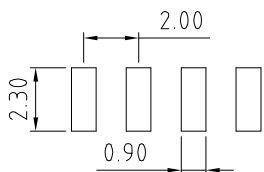
NO. OF CONTACTS:
02 TO 40

CONTACT PLATING OPTIONS:
 K = GOLD FLASH (STANDARD)
 A = 10U" GOLD ON CONTACT/GOLD FLASH ON TAIL
 B = 15U" GOLD ON CONTACT/GOLD FLASH ON TAIL
 C = 30U" GOLD ON CONTACT/GOLD FLASH ON TAIL
 T = BRIGHT TIN
 M = MATT TIN
 D = GOLD FLASH ON CONTACT/BRIGHT TIN ON TAIL
 E = 10U" GOLD ON CONTACT/BRIGHT TIN ON TAIL
 F = 15U" GOLD ON CONTACT/BRIGHT TIN ON TAIL
 G = 30U" GOLD ON CONTACT/BRIGHT TIN ON TAIL

PACKAGING OPTIONS:
 2 = LOOSE IN BOX (STANDARD)
 3 = TUBE
 4 = TUBE + FILM
 5 = TUBE + CAP
 6 = TAPE & REEL
 7 = TAPE & REEL + FILM
 8 = TAPE & REEL + CAP

INSULATOR 'H' OPTIONS:
 0 = 2.0MM (STANDARD)
 A = 1.5MM

PIN LENGTH 'A' (1/10mm)
 PLEASE SPECIFY PIN
 LENGTH REQUIRED IN mm
 I.E. 2.5mm = 025
 STANDARD = 032
 Tol. ±0.25



(TOLERANCE: ±0.05)
RECOMMENDED PC BOARD LAYOUT

REV.	DATE & DRN
1.0	15/05/08 - NYW RELEASE
11	17/01/09 - CHC DRAWING MODIFICATION
12	27/01/11 - NYW ADD PLANNER HEIGHT
13	15/07/11 - NYW CHANGE INSULATOR MATERIAL TO NYLON 6T
14	07/02/16 - NYW ADD INSULATOR 'H' OPTIONS.

Scale: 5:1	THIRD ANGLE	Unstated Tolerances: X ± 0.30 .X ± 0.25 .XX ± 0.15 .XXX ± 0.10	Material SEE NOTE
Drawn: CHC			
App'd: XXXX	Title: PIN HEADER		NOT TO SCALE
Date: 7 APR '16	Revision: 1.4		Unit: mm



THIS DRAWING IS CONFIDENTIAL AND MUST NOT BE COPIED OR DISCLOSED WITHOUT WRITTEN CONSENT

Type: BB02-FK
BB02-FK-A
Drawing Number:
Sheet 1 of 1
Drawing ©