

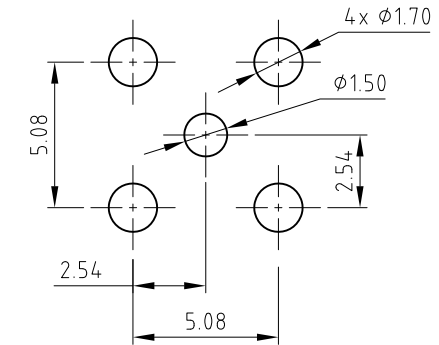
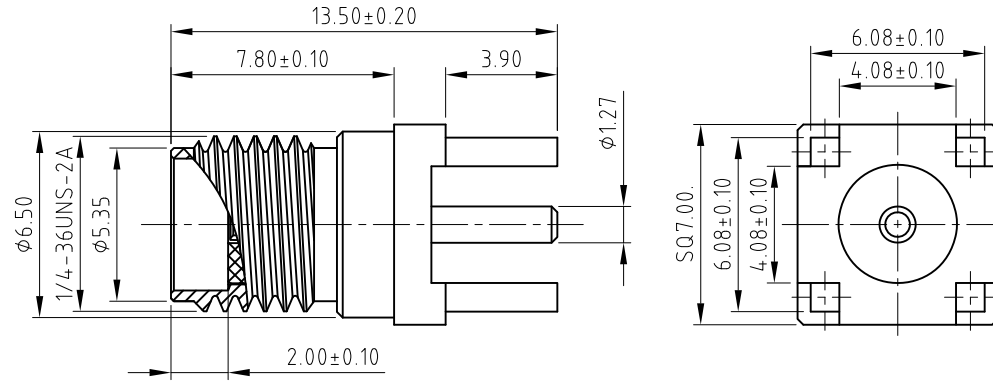
RFPC-SMA28-F : SMA Vertical Jack, PCB Connector, 6GHz

Material and Plating:

Insulator: PTFE
Pin: Brass, Gold
Body: Brass, Gold

Specification:

Operating Temperature: -55°C~+125°C
Working Frequency Range: DC~6GHz
Impedance: 50 Ohm.



Recommended PCB Layout
Tolerance:±0.05

REV. DATE & DRN
1.0 29/10/23 - CC RELEASE
1.1 29/03/24 - CC RELEASE
Update product description

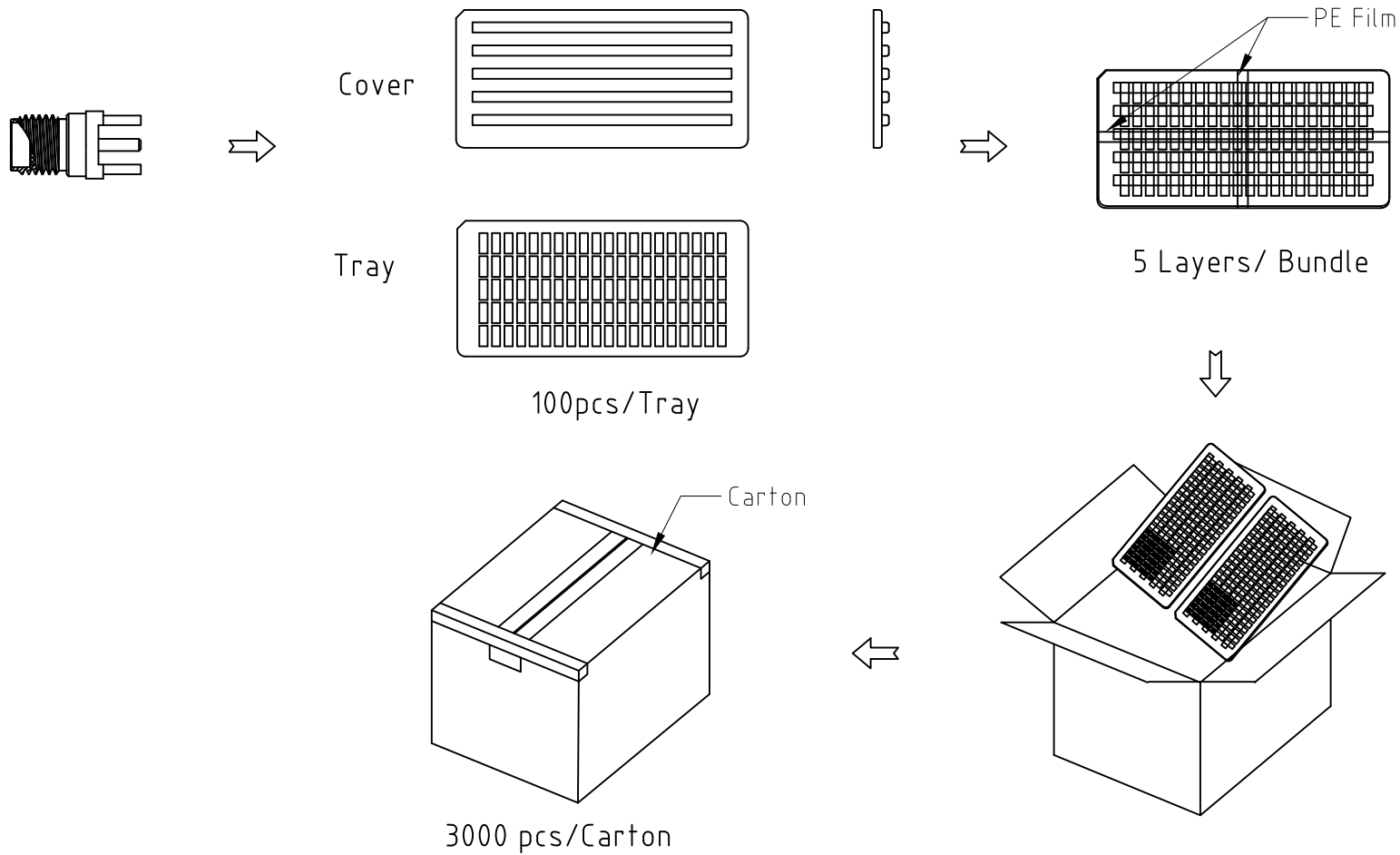
Scale: NTS	THIRD ANGLE	Unstated Tolerances: .X ±0.2 .XX ±0.1 .XXX ±0.05 ANGLES ±3°	Material SEE NOTE
Drawn: CC			
App'd: XXX	Title SMA PCB Connector	NOT TO SCALE	
Date: 29 MAR. '24	Revision: 1.1	Unit: mm	

www.gradconn.com

© THIS DRAWING IS CONFIDENTIAL AND MUST NOT BE COPIED OR DISCLOSED WITHOUT WRITTEN CONSENT

Type: RFPC-SMA28-F
RFPC-SMA28-F
Drawing Number:
Sheet 1 of 2
Drawing © E and O E

RFPC-SMA28-F : SMA Vertical Jack, PCB Connector, 6GHz



pcs / Tray	Trays / Carton	pcs/Carton
100	30	3000

REV. DATE & DRN
1.1 29/03/24 - CC RELEASE
Update product description

Scale: NTS	THIRD ANGLE	Unstated Tolerances: .X ±0.2 .XX ±0.1 .XXX ±0.05 ANGLES ±3°	Material SEE NOTE
Drawn: CC		Title SMA PCB Connector	NOT TO SCALE
App'd: XXX	Date: 29 MAR. '24	Revision: 1.1	Unit: mm



www.gradconn.com

THIS DRAWING IS CONFIDENTIAL AND MUST NOT BE COPIED OR DISCLOSED WITHOUT WRITTEN CONSENT

Type: RFPC-SMA28-F
RFPC-SMA28-F
Drawing Number:
Sheet 2 of 2
Drawing © E and O E