



CAB575RF: I-PEX MHF 4L PLUG + S/S SMA FEMALE STRAIGHT BULKHEAD JACK W/O-RING RATED TO IP68/69K + Ø1.37MM CABLE, 6GHz

SPECIFICATIONS :

1. I-PEX MHF 4LPLUG, GOLD PLATED, P/N: 20632-001R-37.
2. Ø1.37MM COAXIAL CABLE, COLOR: BLACK.
3. SMA STRAIGHT BULKHEAD JACK W/O-RING, W/SUS303 STAINLESS STEEL BODY, RATED TO IP68/69K, P/N: RFCT-SMA123-F37 (WITH SILICONE O-RING), RFCT-SMA123-F37-1 (WITH EPDM O-RING).
4. WASHER: SUS304.
5. NUT: SUS303, PASSIVATED.

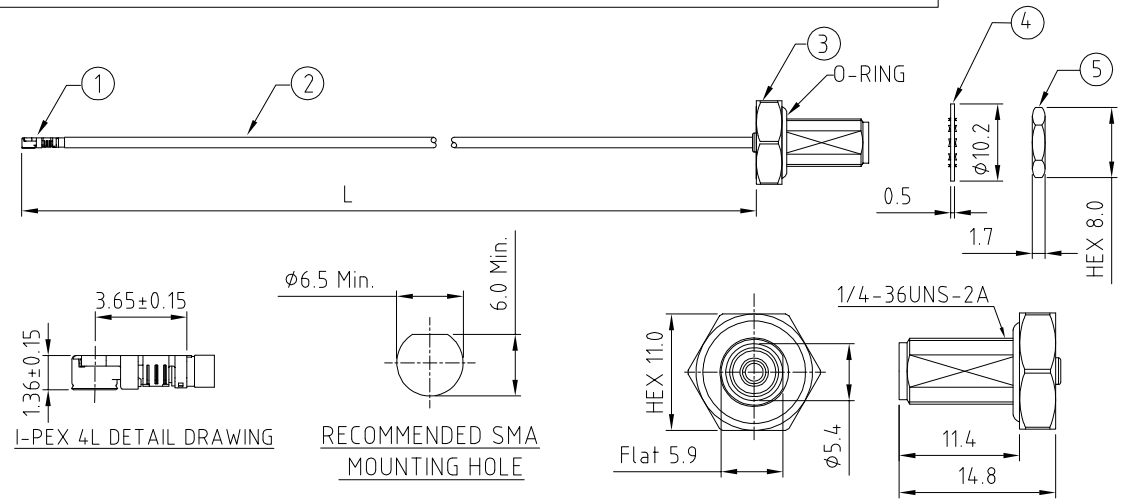
**USAGE PRECAUTIONS: CABLES USING 'MICRO' COAX ARE DELICATE:**  
 (i) HANDLE WITH CARE.  
 (ii) DO NOT TWIST; APPLY EXCESSIVE FORCES OR SHARP BENDS TO THE CABLE. DO NOT FORCEFULLY DEFORM WIRES.  
 (iii) CONSULT CONNECTOR MANUFACTURER'S DATASHEETS FOR DETAILED NOTES ON HANDLING INSTRUCTIONS.

ENVIRONMENTAL:

- A. BULKHEAD MOUNTED CONNECTOR (RFCT-SMA123-F37-1) TESTED TO THE FOLLOWING SPECIFICATION:
- i. IP6X - DUST TIGHT - NO PARTICLE INGRESS.
  - ii. IPX8 WATERPROOF FOR 48 HOURS AT 1 METER UNDERWATER.
  - iii. IPX9K WATER SPRAY, 14-16L PER MINUTE, AT 8,000-10,000 KPA, AT 100-150MM DISTANCE FOR 30 SECONDS.

NOTES:

1. THE ORIENTATION OF CONNECTORS ON DRAWING IS FOR REFERENCE ONLY, IF THE ORDER IS LEFT BLANK THE CONNECTOR WILL NOT HAVE FIXED ORIENTATION.
2. FIXED ORIENTATION IS SUGGESTED FOR CABLE LENGTH 50MM TO 100MM. PLEASE SPECIFY THE FIXED ORIENTATIONS FROM THE ORDER CODE (F1, F2, ETC)
3. CONTACT GRADCONN IF THE ORIENTATION YOU REQUIRE IS NOT SHOWN.
4. WORKING FREQUENCY RANGE: DC-6GHz.
5. OPERATING TEMPERATURE: -40°C TO +85°C
6. IMPEDANCE: 50 OHM
7. IF THE CONNECTOR IS USED IN A CORROSIVE ENVIRONMENT, WE RECOMMEND THE CONNECTOR FACE IS PROTECTED WITH A STAINLESS STEEL DUST CAP.
8. PLEASE USE THE RECOMMENDED TORQUE FORCES FOR STAINLESS STEEL CONNECTORS. THIS IS PUBLISHED ON GRADCONN.COM RESOURCES PAGE.



HOW TO ORDER  
 CAB575RF - X X X X - X X - X - 1 - X

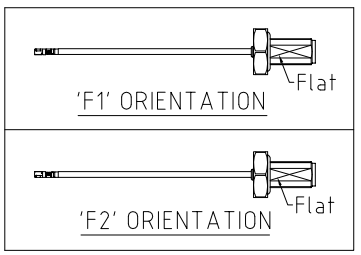
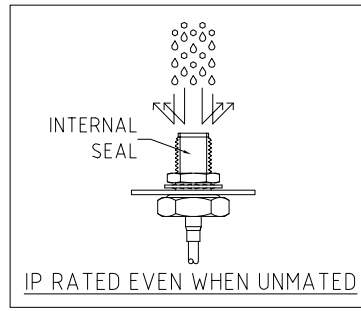
"L" LENGTH IN MM:  
 eg: 100MM = 0100  
 (MIN. 0025-MAX.0400)  
 STANDARD = 0100, 0150, 0200  
 Tolerance: 50mm: ±2mm.  
 51-200mm: ±5mm.  
 201-400mm: ±7mm.

O-RING MATERIAL OPTIONS:  
 S = SILICONE, RED  
 E = EPDM, BLACK (STANDARD)

CABLE SIZE:  
 1 = Ø1.37MM CABLE, COLOR: BLACK.

WASHER AND NUT OPTIONS:  
 BLANK = SEPARATELY PACKED (STANDARD)  
 A = ALL ASSEMBLED WITH CONNECTOR

ORIENTATION OPTIONS:  
 BLANK = DOES NOT HAVE A FIXED ORIENTATION  
 F1 = MHF CONNECTION DOWN (L= 50-200MM)  
 F2 = MHF CONNECTION UP (L=50-200MM)  
 (SEE NOTES 1, 2, 3 AND DIAGRAMS FOR MORE INFORMATION)



REV. DATE & DRN	10 27/06/23 - NYW RELEASE
	11 26/07/23 - NYW ADD WASHER & NUT MATERIAL
	12 29/11/23 - NYW UPDATE IP RATING TO 8K
	13 03/02/24 - CC ADD IP RATING VIEW
	14 01/03/24 - NYW ADD SILICONE O-RING OPTION

Scale: NTS	THIRD ANGLE	Unstated: .X, .XX, .XXX ANGLES	Tolerances: N/A, N/A, N/A
Drawn: CC			
App'd: XXX	Title: CABLE ASSEMBLY		
Date: 1 MAR. '24	Revision: 1.4	Unit: mm	

IP Rated RF Products www.gradconn.com

© THIS DRAWING IS CONFIDENTIAL AND MUST NOT BE COPIED OR DISCLOSED WITHOUT WRITTEN CONSENT

Drawing Number: CAB575RF	
Sheet 1	of 1
Drawing ©	E and O E