

CAB438RF: MMCX RIGHT ANGLE PLUG + ISOLATED TNC BULKHEAD JACK WITH O-RING RATED TO IP67 + RG178 CABLE, 6GHz

SPECIFICATIONS :

1. MMCX STRAIGHT PLUG, P/N: RFCT-MMCX003-M78.
2. RG178 COAXIAL CABLE, COLOR: BROWN.
3. ISOLATED TNC STRAIGHT BULKHEAD JACK WITH O-RING RATED TO IP67, P/N: RFCT-TNC016-F78.

ENVIRONMENTAL:

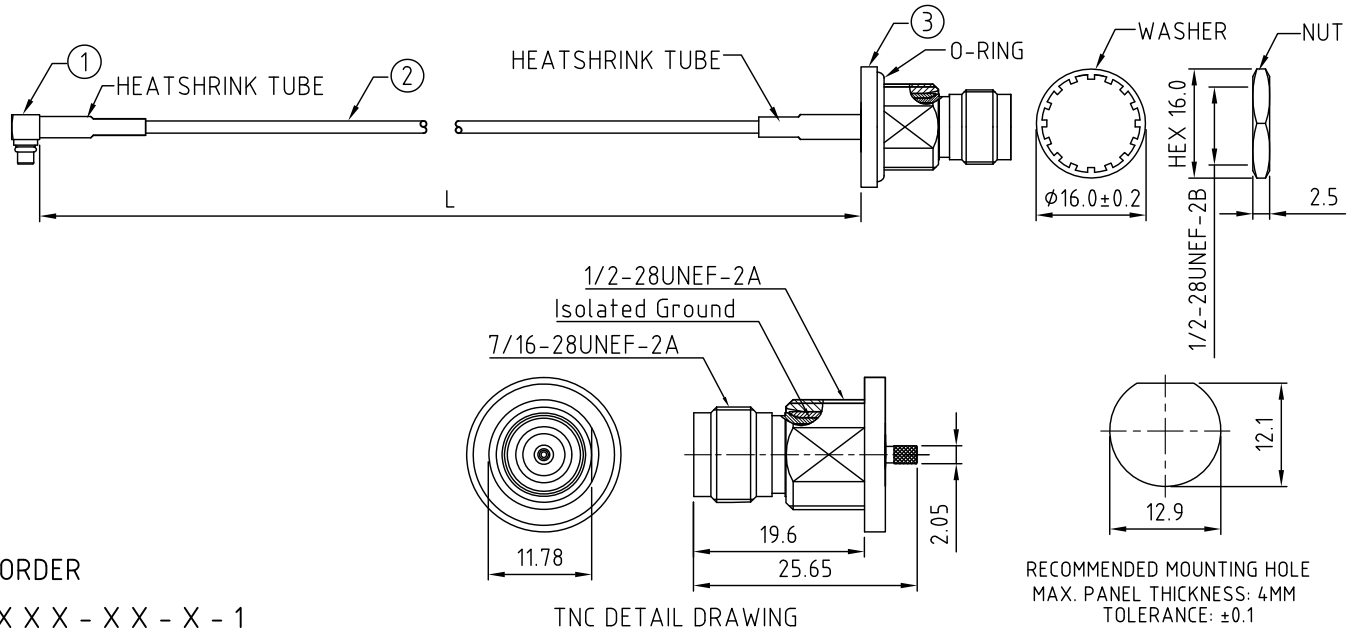
- A. BULKHEAD MOUNTED CONNECTOR (RFCT-TNC016-F78) RATED TO THE FOLLOWING SPECIFICATION:
- i. IP6X - DUST TIGHT - NO PARTICLE INGRESS.
 - ii. IPX7 WATERPROOF FOR 30 MINUTES UP TO 1 METER UNDERWATER.

NOTES:

1. THE ORIENTATION OF CONNECTORS ON DRAWING IS FOR REFERENCE ONLY, IF THE ORDER IS LEFT BLANK THE CONNECTOR WILL NOT HAVE FIXED ORIENTATION.
2. FIXED ORIENTATION IS SUGGESTED FOR CABLE LENGTH 50MM TO 100MM. PLEASE SPECIFY THE FIXED ORIENTATIONS FROM THE ORDER CODE (F1, F2, ETC)
3. CONTACT GRADCONN IF THE ORIENTATION YOU REQUIRE IS NOT SHOWN.
4. WORKING FREQUENCY RANGE: DC-6GHz.
5. OPERATING TEMPERATURE: -40°C~+125°C.
6. IMPEDANCE: 50 Ohm.
7. CARE SHOULD BE TAKEN NOT TO OVERTIGHTEN THE MATING CONNECTOR. OVERTIGHTENING RISKS COMPROMISING THE IP RATING OF THE CONNECTOR.

USAGE PRECAUTIONS: CABLES USING 'MICRO' COAX ARE DELICATE:

- (i) HANDLE WITH CARE.
- (ii) DO NOT TWIST; APPLY EXCESSIVE FORCES OR SHARP BENDS TO THE CABLE. DO NOT FORCEFULLY DEFORM WIRES.
- (iii) CONSULT CONNECTOR MANUFACTURER'S DATASHEETS FOR DETAILED NOTES ON HANDLING INSTRUCTIONS.



HOW TO ORDER

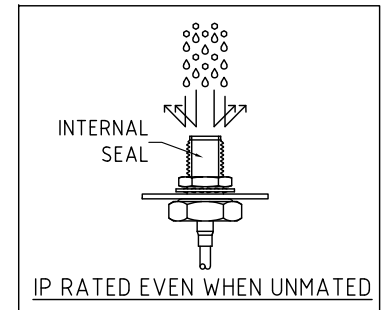
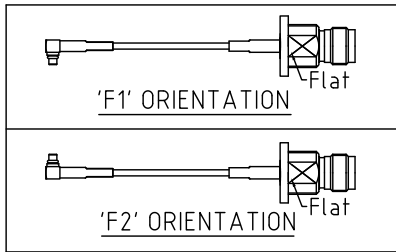
CAB438RF - X X X X - X X - X - 1

"L" LENGTH IN MM:
 eg: 100MM = 0100
 (MIN. 0050-MAX.0400)
 STANDARD = 0100, 0150, 0200)
 TOLERANCE: 50-200mm: ±5mm.
 201-400mm: ±7mm.

CABLE SIZE:
 1 = RG178 CABLE, COLOR: BROWN

WASHER AND NUT OPTIONS:
 BLANK = SEPARATELY PACKED (STANDARD)
 A = ASSEMBLED WITH CONNECTOR

ORIENTATION OPTIONS:
 BLANK = DOES NOT HAVE A FIXED ORIENTATION
 F1 = MMCX CONNECTION DOWN (L=50-200MM)
 F2 = MMCX CONNECTION UP (L=50-200MM)
 (SEE NOTES 1, 2, 3 AND DIAGRAMS FOR MORE INFORMATION)



REV. DATE & DRN
 10 17/09/20 - N/W RELEASE
 11 06/11/20 - N/W DRAWING
 12 13/01/21 - N/W DRAWING
 13 20/01/24 - CC
 ADD NOTE 7.
 ADD IP RATING VIEW

Scale: NTS	THIRD ANGLE	Unstated .X .XX .XXX ANGLES	Tolerances: N/A N/A N/A N/A
Drawn: CC			
App'd: XXX	Title CABLE ASSEMBLY		
Date: 20 JAN. '24	Revision: 1.3	Unit: mm	

IP Rated RF Products

www.gradconn.com

Drawing Number: CAB438RF	
Sheet 1	of 1
Drawing	E and O E