

BB02-RD

CUSTOMER PRODUCT SPECIFICATION SHEET



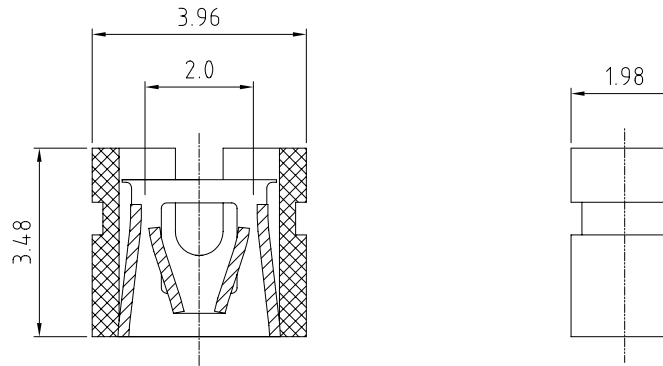
BB02-RD : 2.00mm MINI JUMPER, OPEN TYPE, 2 CONTACTS

SPECIFICATIONS

CURRENT RATING 3 AMPS  
 VOLTAGE RATING 250V AC/DC  
 WITHSTANDING VOLTAGE 1000V AC/MINUTE  
 INSULATOR RESISTANCE 1000 MEGOHMS MIN.  
 CONTACT RESISTANCE 20m OHMS MIN.  
 OPERATING TEMPERATURE -40°C TO +105°C  
 CONTACT MATERIAL PHOSPHOR BRONZE  
 INSULATOR MATERIAL POLYESTER UL 94V-0  
 STANDARD: PBT  
 PLATING GOLD FLASH OVER NICKEL

MATES WITH: - 2.0MM PIN HEADERS

NOTES:  
 1. PACKAGING: 2,000PCS PER BAG.



HOW TO ORDER

B B 0 2 - R D 0 2 2 - K 0 1 - 0 0 0 0 0 0 0

REV DATE & DRN  
 1.0 22/07/08 - NYW RELEASE

Scale: 10=1	THIRD ANGLE		Unstated Tolerances: .X ± 0.3 .XX ± 0.2
Drawn: NYW			
App'd: XXXX	Title JUMPER	NOT TO SCALE	
Date: 22 JUL '08	Revision: 1.0	Unit: mm	

Material SEE NOTE

www.gradconn.com

THIS DRAWING IS CONFIDENTIAL AND MUST NOT BE COPIED OR DISCLOSED WITHOUT WRITTEN CONSENT

Type: BB02-RD

BB02-RD

Drawing Number: Sheet 1 of 1

Drawing © E and O E