

BB02-JB :- 2.54mm (0.1") FEMALE HEADER PROFILE:8.5mm, SINGLE ROW 2 to 40 CONTACTS

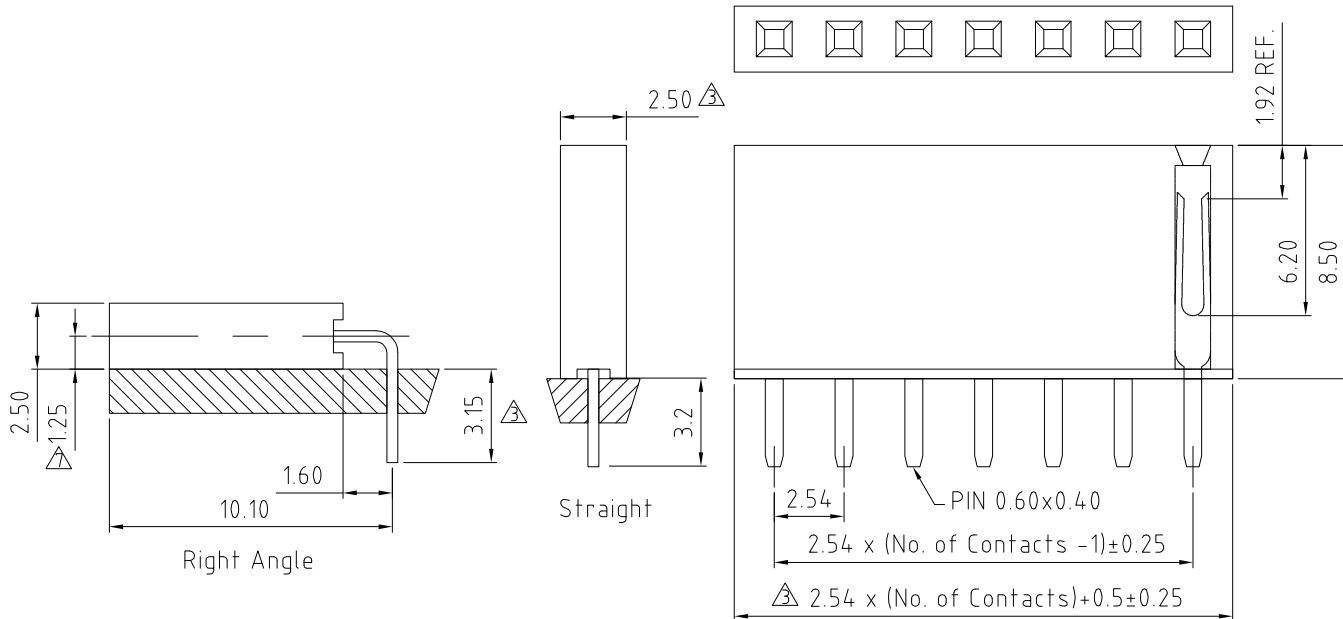
SPECIFICATIONS

CURRENT RATING 3 AMP
 INSULATOR RESISTANCE 1000 MegOhms MIN.
 CONTACT RESISTANCE 20 m ohms MAX
 DIELECTRIC WITHSTANDING AC 600 V
 OPERATING TEMPERATURE -40°C TO +105°C
 CONTACT MATERIAL PHOSPHOR BRONZE
 INSULATOR MATERIAL NYLON 6T : STANDARD
 PBT : SPECIAL OPTION
 PLATING GOLD, TIN OR SELECTIVE OVER 30-50U" NICKEL
 SOLDERABILITY: NYLON 6T - IR REFLOW: 260°C FOR 10 SEC
 WAVE: 230°C FOR 5-10 SEC
 MANUAL SOLDER: 350°C FOR 3-5 SEC

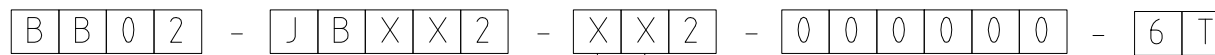
NOTES:

1. PACKED IN TRAY.
2. RECOMMENDED MATING PIN LENGTH: 6.0MM. \triangle \triangle

MATES WITH :- BB02-HA BB02-HY
 BB02-HC BB02-TC
 BB02-HD BB02-TJ
 BB02-HG BB02-TK
 BB02-HH BB02-TP



HOW TO ORDER

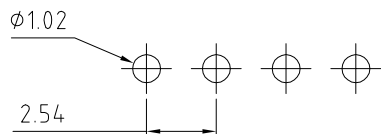


NO. OF CONTACTS: \triangle 02 TO 40

CONTACT PLATING OPTIONS:
 K = GOLD FLASH (STANDARD)
 A = 10U" GOLD ON CONTACT/GOLD FLASH ON TAIL
 B = 15U" GOLD ON CONTACT/GOLD FLASH ON TAIL
 C = 30U" GOLD ON CONTACT/GOLD FLASH ON TAIL
 T = BRIGHT TIN
 M = MATT TIN
 D = GOLD FLASH ON CONTACT/BRIGHT TIN ON TAIL
 E = 10U" GOLD ON CONTACT/BRIGHT TIN ON TAIL
 F = 15U" GOLD ON CONTACT/BRIGHT TIN ON TAIL
 G = 30U" GOLD ON CONTACT/BRIGHT TIN ON TAIL

CONNECTOR TYPE:
 S = STRAIGHT
 R = RIGHT ANGLE

INSULATOR MATERIAL: \triangle
 6T = NYLON 6T (STANDARD)
 BLANK = PBT (Not suitable for new designs.)



RECOMMENDED PC BOARD HOLE LAYOUT (TOLERANCE: ±0.05)

REV. DATE & DSN
10 29/06/02 - S1T RELEASE
11 06/08/02 - 06 YRS. CONTACTS
12 07/06/04 - NIR
13 08/06/05 - NYW
14 17/08/06 - NYW
15 29/08/08 - NYW
16 27/05/08 - PN
17 29/08/08 - NYW
18 17/02/09 - CHC
19 28/08/09 - CHC

10 29/06/02 - S1T RELEASE
11 06/08/02 - 06 YRS. CONTACTS
12 07/06/04 - NIR
13 08/06/05 - NYW
14 17/08/06 - NYW
15 29/08/08 - NYW
16 27/05/08 - PN
17 29/08/08 - NYW
18 17/02/09 - CHC
19 28/08/09 - CHC

Scale: 5:1
Drawn: CHC
App'd: XXXX
Date: 28 AUG '09

THIRD ANGLE
Title SOCKET
Revision: 19

Unstated Tolerances:
X ± 0.30
X ± 0.25
XX ± 0.15
XXX ± 0.10

Material SEE NOTE
NOT TO SCALE
Unit: mm

THIS DRAWING IS CONFIDENTIAL AND MUST NOT BE COPIED OR DISCLOSED WITHOUT WRITTEN CONSENT

Type: BB02-JB
BB02-JB
Drawing Number:
Sheet 1 of 1
Drawing © E and O E