

BB02-GQ :- 2.00mm x 2.00mm (0.079" x 0.079") SOCKET, SMD, DUAL ENTRY, DUAL ROW - 06 to 80 CONTACTS

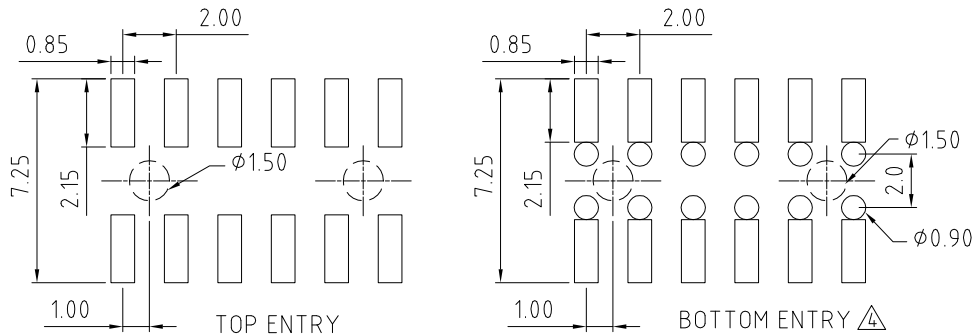
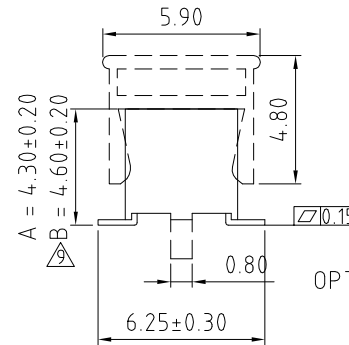
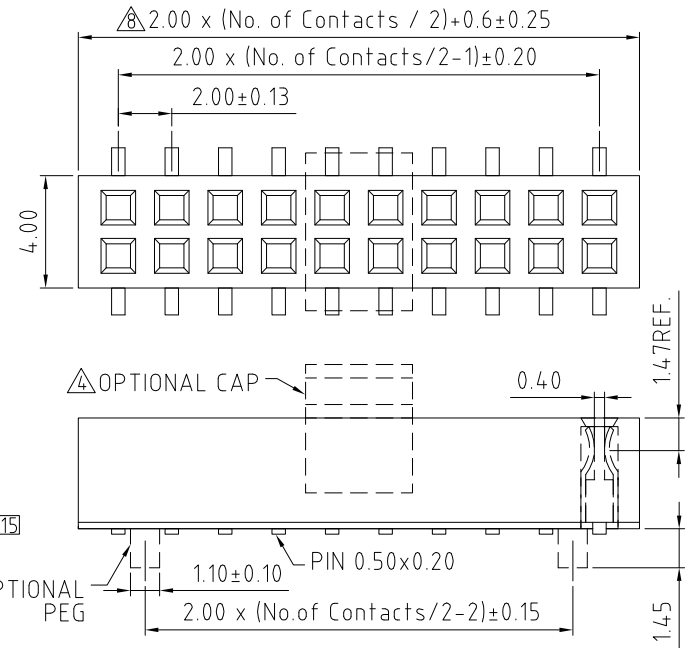
SPECIFICATIONS

CURRENT RATING	2 AMP
INSULATOR RESISTANCE	1000 MEGOHMS MIN.
CONTACT RESISTANCE	20 m ohms MAX
DIELECTRIC WITHSTANDING	500 V AC/DC
OPERATING TEMPERATURE	-40°C TO +105°C
CONTACT MATERIAL	PHOSPHOR BRONZE
INSULATOR MATERIAL	THERMOPLASTIC, UL 94V-0 STANDARD: NYLON 6T
PLATING	GOLD, TIN, OR SELECTIVE OVER 30~50U" NICKEL
SOLDERABILITY	IR REFLOW: 260°C FOR 10 SEC MANUAL SOLDER: 350°C FOR 3-5 SEC

MATES WITH :-

BB02-FA	BB02-FQ	BB02-FW
BB02-FD	BB02-FR	BB02-FY
BB02-FE	BB02-FS	BB02-FZ
BB02-FG	BB02-FT	BB02-RH
BB02-FP	BB02-FU	BB02-RN

RECOMMENDED MATING PIN LENGTH FROM TOP ENTRY IS 3.0MM Δ



RECOMMENDED PC BOARD LAYOUT
(TOLERANCE: ±0.05)

HOW TO ORDER



NO. OF CONTACTS:
06 TO 80

CONNECTOR PROFILE:
A = 4.3mm
B = 4.6mm

PACKAGING OPTIONS:
3 = TUBE
4 = TUBE & FILM
5 = TUBE & CAP
6 = TAPE & REEL
7 = TAPE & REEL & FILM
8 = TAPE & REEL & CAP

LOCATING PEG OPTIONS:
A = WITH PEG
B = WITHOUT PEG

CONTACT PLATING OPTIONS: Δ Δ
K = GOLD FLASH (STANDARD)
A = 10U" GOLD ON CONTACT/GOLD FLASH ON TAIL
B = 15U" GOLD ON CONTACT/GOLD FLASH ON TAIL
C = 30U" GOLD ON CONTACT/GOLD FLASH ON TAIL
T = BRIGHT TIN
M = MATT TIN
D = GOLD FLASH ON CONTACT/BRIGHT TIN ON TAIL

10. 01/04/05 - NYW RELEASE
11. 20/04/05 - NYW
Δ AMEND TOTAL LENGTH.
12. 10/08/06 - NYW
DRAWING MODIFICATION.
13. 13/02/07 - CHC
Δ ADD RECOMMENDED MATING PIN LENGTH.
14. 23/04/07 - NYW
LAYOUTS
Δ ADD BOTTOM ENTRY PCB LAYOUTS
15. 26/09/07 - CHC
Δ ADD 1.50mm GOLD CONTACT PLATING.
16. 20/05/08 - CHC
PLATING MODIFICATION.
17. 05/02/09 - CHC
DRAWING MODIFICATION.
18. 08/09/11 - NYW
Δ AMEND INSULATOR LENGTH.
19. 22/12/11 - NYW
Δ AMEND B HEIGHT.

Scale: 5:1	THIRD ANGLE	Unstated Tolerances: X. ± 0.30 .X ± 0.25 .XX ± 0.15 .XXX ± 0.10	Material SEE NOTE
Drawn: CHC			
App'd: XXXX	Title: SOCKET		NOT TO SCALE
Date: 22 DEC '11	Revision: 1.9		Unit: mm



www.gradconn.com

THIS DRAWING IS CONFIDENTIAL AND MUST NOT BE COPIED OR DISCLOSED WITHOUT WRITTEN CONSENT

Type: BB02-GQ
BB02-GQ
Drawing Number:
Sheet 1 of 1
Drawing © E and O E